

1173195 Tyranno 2000W 72V30Ah Lith 19"16"

ART-NR. 1173195

2000W TYRANNO

E-DIRTBIKE



www.nitromotors.de

ERSATZTEILLISTE | SPARE PARTS LIST

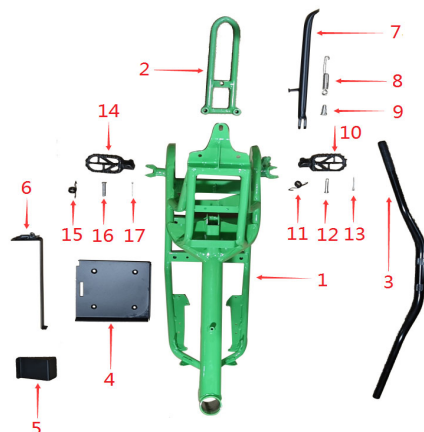
VERS. 1.0 | 08.08.2025

1. PLASTIC BODY



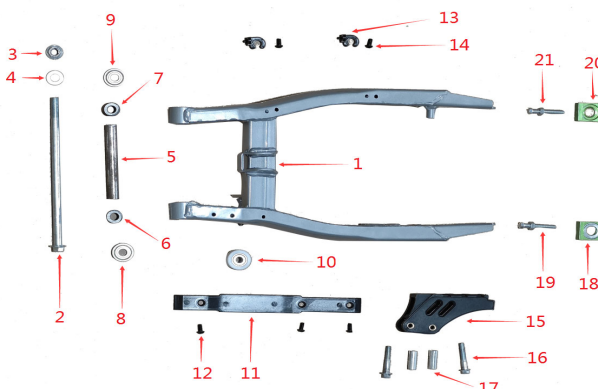
NO	Menila Et Art.	EAN Code	Part name	中文名	Order	Note
1-1	90735180101	4255675489469	tank cover black	假油壶		
1-2	90735190101	4255675489476	tail fairing black	后尾		
1-3	90735200101	4255675489483	main plastic body,left black	主体塑料件,左		
1-4	90735210101	4255675489490	main plastic body,right black	主体塑料件,右		
1-5	90735220101	4255675489506	battery case,left side black	电池盒左侧		
1-6	90735230101	4255675489513	Battery case,right side v	电池盒右侧		
1-7	9079755	4255675489605	seat	坐垫		
1-8	90735240101	4255675489520	number plate black	号码牌		
1-9	90735250101	4255675489537	front mudguard black	前挡泥板		
1-10	90735260101	4255675489544	Rear mudguard black	后挡泥板		
1-11	90735270101	4255675489551	battery case front cover black	电池盒前罩		
1-12	90735280101	4255675489568	tail fairing garniture, left black	后尾塑料装饰块·左		
1-13	90735290101	4255675489575	tail fairing garniture, right black	后尾塑料装饰块·右		
1-14	90735300101	4255675489582	front fork side cover, left black	前叉护板,左		
1-15	90735310101	4255675489599	front fork side cover, right black	前叉护板,右		
1-16	9070454	4255675489612	handlebar sponge	手把管护胸海绵块		
1-17	9070455	4255675489629	sponge cover	护胸包布		
1-17	90739660404	4255816880063	sticker set green	一套贴花绿色		
1-17	90739660505	4255816880070	sticker set orange	一套贴花桔色		
1-17	90739660202	4255816880490	sticker set blue	一套贴花蓝色		
1-17	90739660303	4255816880506	sticker set red	一套贴花红色		

2. MAIN FRAME



NO	Menila Et Art.	EAN Code	Part name	中文名	Order	Note
2-1	90799030404	4255675489636	Main frame green	车架主体		
2-1	90799030505	4255675489643	Main frame orange	车架主体		
2-1	90799030202	4255816880513	Main frame blue	车架主体		
2-1	90799030303	4255816880520	Main frame red	车架主体		
2-2	90799040404	4255675489650	Rear tail bracket green	后尾支架		
2-2	90799040505	4255675489667	Rear tail bracket orange	后尾支架		
2-2	90799040202	4255816880537	Rear tail bracket blue	后尾支架		
2-2	90799040303	4255816880544	Rear tail bracket red	后尾支架		
2-3	90799050101	4255675489674	Handlebar black	手把管		
2-4	90799060101	4255675489681	battery baseplate black	电池底托板		
2-5	9070456	4255675489698	battery holder 1#	电池固定压块1		
2-6	9070457	4255675489704	battery holder 2#	电池固定压块2		
2-7	9070458	4255675489711	kick stand	脚支撑		
2-8	9070459	4255675489728	kick stand spring	脚支撑弹簧		
2-9	9070460	4255675489735	kick stand fixing nut	脚支撑固定螺母		
2-10	9070461	4255675489742	left footrest	左脚蹬		
2-11	9070462	4255675489759	left footrest spring	左脚蹬弹簧		
2-12	9070463	4255675489766	left footrest fixing bolt	左脚蹬固定插销		
2-13	9070464	4255675489773	split cotter for left footrest	左脚蹬开口销		
2-14	9070465	4255675489780	right footrest	右脚蹬		
2-15	9070466	4255675489797	right footrest spring	右脚蹬弹簧		
2-16	9070467	4255675489803	right footrest fixing bolt	右脚蹬固定插销		
2-17	9070468	4255675489810	split cotter for right footrest	右脚蹬开口销		

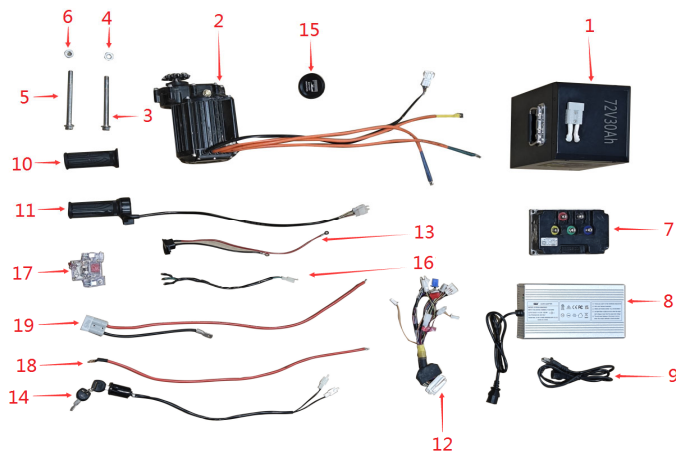
3. Rear suspension system



NO	Menila Et Art.	EAN Code	Part name	中文名	Order	Note
3-1	90799070909	4255675445465	rear fork silver	后叉		
3-2	9070469	4255675489827	rear fork axle	后叉轴		
3-3	9070470	4255675489834	rear fork fixing nut	后叉轴固定螺母		
3-4	9070471	4255675489841	rear fork flat gasket	后叉固定平垫		
3-5	9070472	4255675489858	rear fork middle sleeve	后叉中隔套		

3-6	9070473	4255675489865	rear fork side spacer left	后叉边隔套左		
3-7	9070474	4255675489872	rear fork side spacer right	后叉边隔套右		
3-8	9070475	4255675489889	bearing for rear fork left	后叉轴承左		
3-9	9070476	4255675489896	bearing for rear fork right	后叉轴承右		
3-10	9070477	4255675489902	tension wheet	U形导链轮		
3-11	9070478	4255675489919	chain push cover	后叉导链皮		
3-12	9070479	4255675489926	chain push cover fixing screw	导链皮固定螺丝*3		
3-13	9070480	4255675489933	clip for rear brake pipe	液刹油管扣*2		
3-14	9070481	4255675489940	clip for rear brake pipe fixing serew	液刹油管扣固定螺丝*2		
3-15	9070482	4255675489957	Chain guide device	导链器		
3-16	9070483	4255675489964	Chain guide device fixing bolt	导链器固定螺杆*2		
3-17	9070484	4255675489971	Chain guide device sleeve	导链器固定隔套*2		
3-18	9070485	4255675489988	chain adjuster aluminium block left	千斤铝片-左		
3-19	9070486	4255675489995	chain adjuster bolt left	千斤调节螺杆-左		
3-20	9070487	4251814625576	chain adjuster aluminium block right	千斤铝片-右		
3-21	9070488	4255675445045	chain adjuster bolt right	千斤调节螺杆-右		

5. ELECTRIC SYSTEM



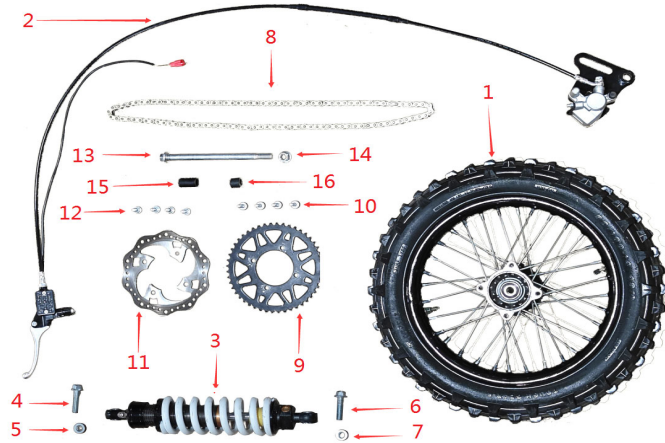
NO	Menila Et Art.	EAN Code	Part name	中文名	Order	Note
4-1	9070509	4255675449784	72V 30AH lithium battery including battery box	72V 30AH 锂电池		
4-2	9079129	4255675449777	2000W 72V brushless motor	2000W 72V 无刷电机		
4-3	9070489	4255675445472	motor fixing bolt upper (short)	电机固定螺杆上(短)		
4-4	9070490	4255675445489	motor fixing nut	电机固定螺母		
4-5	9070491	4255675445496	motor fixing bolt down (long)	电机固定螺杆下(长)		
4-6	9070492	4255675445014	motor fixing nut	电机固定螺母		
4-7	9070142	4255675450575	72V 30AH brushless controller	72V 30AH 无刷控制器		
4-8	9070808	4255675449791	72V 5.0A charger C600 inclusive connect line	72V 5.0A 锂电充电器		
4-9	9070493	4255675445311	charger connect line	充电器连接线		
4-10	9070494	4255675445328	left rubber grip	左把套		
4-11	9070495	4255675445335	throttle assy	调速转把		
4-12	9070496	4255675445342	wiring harness	总线		
4-13	9070497	4255816879999	charger port	充电口		
4-14	9070498	4255816880001	Electric door lock	电门锁		
4-15	9070499	4255816880018	Battery indicator	电量显示表		
4-16	'9074500	4255816880025	Battery indicator connecting line	电量表连接线		
4-17	'9074501	4255816880032	air circuit-breaker	空气开关		
4-18	'9074502	4255816880049	air circuit-breaker connecting line	空气开关连接线		
4-19	'9074503	4255816880056	battery connecting line	电源连接线		

5. FRONT WHEEL TRANSMISSION PARTS



NO	Menila Et Art.	EAN Code	Part name	中文名	Order	Note
5-1-1	9120048	4251814680537	front tire 70/100-17 (Junkai)	前轮外胎70/100-17		
	9120063	4251814681527	front tire 70/100-19 (YuanXing)	前轮外胎70/100-19		
5-1-2	9120049	4251814680544	front tube 70/100-17 (Junkai)	前轮内胎70/100-17		
	9120075	4251814681640	front tube 70/100-19 (YuanXing)	前轮内胎70/100-19		
5-1-3	90736430101	4255816880575	front rim 17 inch black	前轮轮毂		
	90736440101	4255816880582	front rim 19 inch black	前轮轮毂		
5-2	9071209	4255816880087	front hydraulic brake assy.	前刹车组件		
5-3	'9074533	4255816880476	front brake fixing bolt	前液刹固定螺杆*2		
5-4	'9074534	4255816880483	front brake fixing nut	前液刹固定螺母*2		
5-5	90770890909	4255816880094	front fork left silver	前叉, 左		
5-6	90770900909	4255816880100	front fork right silver	前叉, 右		
5-7	9074514	4255816880261	Down splintage	下连板		
5-8	'9074515	4255816880278	upper splintage	上连板		
5-9	'9074516	4255816880285	front wheel axle	前轮轴		
5-10	'9074517	4255816880292	front wheel axle fixing nut	前轮轴固定螺母		
5-11	'9074518	4255816880308	front wheel spacker, left	前轮左隔套		
5-12	'9074519	4255816880315	rear wheel spacker, right	前轮右隔套		
5-13	'9074520	4255816880322	cone bearing	锥形轴承		
5-14	'9074521	4255816880339	Handlebar nut	方向柱大螺母		
5-15	'9074522	4255816880346	Handlebar adjusting nut	方向柱调节螺母		
5-16	'9074523	4255816880353	front brake disc	前碟刹盘		
5-17	'9074524	4255816880360	front brake disc fixing screw	前碟刹盘固定螺丝*4		
5-18	'9074525	4255816880377	Handlebar holder, upper*2	手把管上压块*2		
5-19	'9074526	4255816880384	Handlebar upper holder fixing bolt	手把管上压块固定螺丝*4		
5-20	'9074527	4255816880391	Handlebar holder, down*2	手把管下压块*2		
5-21	'9074528	4255816880407	Handlebar down holder fixing bolt	手把管下压块固定螺丝*4		
5-22	90735320101	4255816880452	front fork side cover, left black	前叉护板·左		
5-23	'9074529	4255816880414	left front fork side cover spacing	左前叉护板固定隔套*3		
5-24	'9074530	4255816880421	left front fork side cover fixing screw	左前叉护板固定螺丝*3		
5-25	90735330101	4255816880469	front fork side cover, right black	前叉护板·右		
5-26	'9074531	4255816880438	right front fork side cover spacing	右前叉护板固定隔套*3		
5-27	'9074532	4255816880445	right front fork side cover fixing screw	右前叉护板固定螺丝*3		

6. REAR WHEEL TRANSMISSION PARTS



NO	Menila Et Art.	EAN Code	Part name	中文名	Order	Note
6-1-1	9120046	4251814680513	rear tire 90/100-14 (Junkai)	后轮外胎90/100-14		
	9120062	4251814681510	rear tire 90/100-16 (YuanXing)	后轮外胎 90/100-16		
6-1-2	9120047	4251814680520	rear inner tube 90/100-14 (Junkai)	后轮内胎90/100-14		
	9120074	4251814681633	rear inner tube 90/100-16 (YuanXing)	后轮内胎90/100-16		
6-1-3	90736410101	4255816880551	rear rim 14' black	后轮轮毂		
	90736420101	4255816880568	rear rim 16'black	后轮轮毂		
6-2	9071210	4255816880155	rear hydraulic brake assy.	后液压脚刹		
6-3	9077091	4255816880117	rear shock	后减震		
6-4	'9074504	4255816880162	rear shock fixing bolt,upper	后减震固定螺杆--上		
6-5	'9074505	4255816880179	rear shock fixing nut,upper	后减震固定螺母--上		
6-6	'9074506	4255816880186	rear shock fixing bolt,down	后减震固定螺杆--下		
6-7	'9074507	4255816880193	rear shock fixing nut,down	后减震固定螺母--下		
6-8	9072340	4255816880124	428 chain	428链条		
6-9	9072036	4255816880131	rear sprocket	后链轮		
6-10	9074508	4255816880209	rear sprocket fixing screw	后链轮固定螺丝*4		
6-11	9072037	4255816880148	rear brake disc	后碟刹盘		
6-12	'9074509	4255816880216	rear brake disc fixing screw	后碟刹盘固定螺丝*4		
6-13	'9074510	4255816880223	Rear wheel axle	后轮轴		
6-14	'9074511	4255816880230	Rear wheel axle fixing nut	后轮轴固定螺母		
6-15	'9074512	4255816880247	rear wheel spacker 1#,left	后轮隔套1#, 左		
6-16	'9074513	4255816880254	rear wheel spacker 2#,right	后轮隔套2#, 右		



www.nitromotors.de

Copyright © 2025 Nitromotors | All rights reserved. "Nitromotors" is a registered trademark of Menila Import.
 Druckfehler und Irrtümer vorbehalten. Menila Import | Hafengeb. 5 | 45881 Gelsenkirchen | E-Mail: parts@menilagroup.de