

1173180 Tiger VX 1000W 36V13Ah Lithium 12"12"

ART-NR. 1173180

1000W TIGER

E-DIRTBIKE

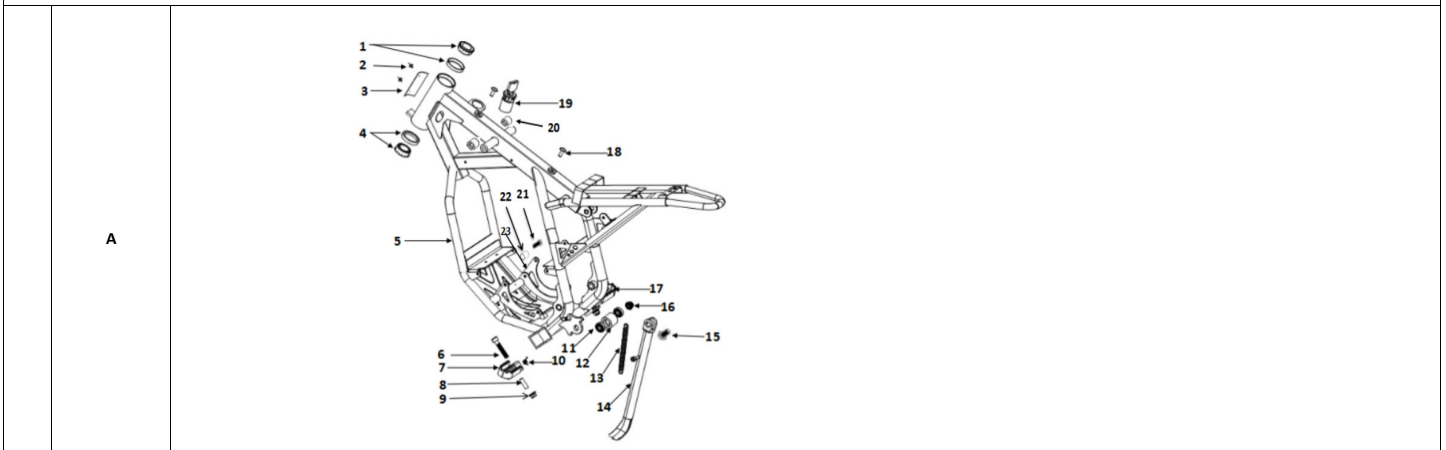


www.nitromotors.de

ERSATZTEILLISTE | SPARE PARTS LIST

VERS. 1.0 | 08.08.2025

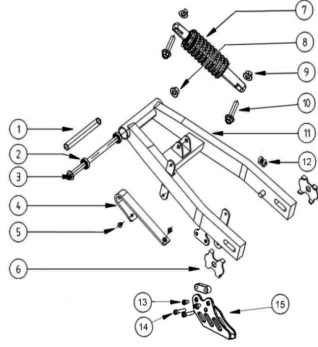
Tiger VX (A车架) FRAME ASSY.



序号	零部件编号 SKU	Menila ET Art	EAN Code	英文名称 Spare part name in English	中文名称	规格 Specification	order	Note
A-1	304290016	9075150	4251814691519	Tapered Bearing Kit Upper	上部锥度轴承	91683/22.5(含钢碗)		With steel bowl
A-4	304290017	9075151	4251814691526	Tapered Bearing Kit Lower	下部锥度轴承	91683/24		
A-5	302030377	90799150101	4255816883408	Frame, black	VX车架 (喷塑)	哑光黑色		
A-7	302430009	90760020101	4251814682210	Footrest, L	左脚踏	长脚踏		
A-8	308090043	9076026	4251814691564	Footrest inner spacer	小越野脚踏隔套	φ8*0.8*24mm		
A-10	305190001	9076027	4251814691571	Left Footrest Spring	小越野脚踏扭簧 左	φ2*φ14.5*12mm左新款		
	305180001	9076028	4251814691588	Right Footrest Spring	小越野脚踏扭簧 右	φ2*φ14.5*12mm右		
A-11	304290014	9076032	4251814691649	Chain Tensioner Bearing #698Z	轴承	698Z		
A-12	303130003	9076033	4251814691656	Chain Tensioner	涨紧轮	φ19*φ28*24mm, 小越野款		
A-13	305170002	9076029	4251814691595	Side Stand Spring	脚踏拉簧	φ15*φ2.5*100mm		
A-14	302190010	90745900101	4255816883460	Side Stand for 12/12 wheels	长脚踏 (喷塑)	L=260mm, 借用大轮脚踏		
A-14	302190005	90745910101	4255816883477	Side Stand for 14/12 wheels	长脚踏 (喷塑)	L=335mm		
A-17	302430006	90760030101	4251814682227	Footrest,R	右脚踏	长脚踏		
A-19	306230008	9074585	4255816883415	Key ignition	防水电门锁	缙云三鼎, 二档四线 防水钥匙		
A-20	308100004	9074586	4255816883422	Rubber Plug	油壶软胶套	Ø28*Ø18*30mm		
A-22	308090015	9075393	4251814669044	Motor Spacer (for 60V2000W MOTOR only)	ZRS50电机隔套	φ14*φ8*21.5mm		48V/36V Motor dont need this part
A-23	302390005	9074587	4255816883439	Motor Holder	电机固定片 (喷塑)			
A-2	308150001	9075226	4251814660003	Rivet	铆钉	φ3.2*9		
A-6	308190012	9075227	4251814660010	Hex Socket Cap Bolt	内六角螺丝	M6*40		
A-9	308050005	9075228	4251814660027	Lock Nut	防松螺母	M6		
A-15	308330001	9074588	4255816883446	Hex Socket Cap Bolt	外六角台阶螺丝	M10*25*1.25		
A-16	308050005	9075228	4251814660027	Lock Nut	防松螺母	M6		
A-18	308170003	9075249	4251814660232	Hex Socket Cap Bolt, Flat Head	内六角大扁头螺丝	M6*16		
A-21	308020030	9075320	4251814664452	Flange Bolt	法兰螺丝	M6*30		
	308020059	9074589	4255816883453	Flange Bolt	法兰螺丝 (螺丝加耐高温厌氧胶)	M6*12		

Tiger VX (B后叉) REAR SUSPENSION ASSY.

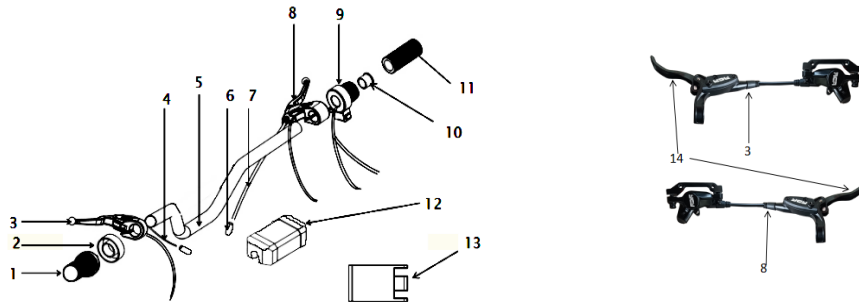
B



序号	零部件编号 SKU	Menila ET Art	EAN Code	英文名称 Spare part name in English	中文名称	规格Specification	order	Note
B-1	308090002	9074592	4255816883484	Rear Swing Arm spacer	后叉隔套	φ14*1.5*114mm		
B-2	304290011	9076122	4255675456973	Rear Swing Arm bearing #63900Z	轴承	63900Z		
B-3	308020005	9074593	4255816883491	Rear Swing Arm Axle M10*175*1.25	法兰螺丝	M10*175*1.25		
B-4	303050002	9078506	4251814656983	Swing Arm Protection Rubber	后叉防擦片	短款		
B-6	302490001	9074594	4255816883507	Wheel Axle Holder	后叉轴防滑片			
B-7	304020033	90770950808	4255816883583	Rear Shock white	后减震	φ9-250mm油压, 白色弹簧, 黑色铝头		
B-10	308020011	9075232	4251814660065	Flange Bolt	法兰螺丝	M10*40*1.25		
B-11	302330040	90765070101	4255816883569	Rear Swing Arm,Black	后叉(喷塑)	前14/12通用) 加长款, 哑光黑色		
		90765080101	4255816883576	Rear Swing Arm,Black	后叉(喷塑)	前12/12通用 加长款, 哑光黑色		
B-12	307210001	9074595	4255816883514	Rear Brake Cable Clip	后刹车线线扣	使用, 塑料新款		
B-14	308190010	9075296	4251814663820	Hex Socket Cap Bolt	内六角螺丝	M6*30		Assembled
B-15	303060002	9074596	4255816883521	Chain Guider	链托总成	链托		
B-8	308350001	9075198	4251814656952	Self Lock Nut	自锁螺母	M10*1.25		
B-9	308350001	9075198	4251814656952	Self Lock Nut	自锁螺母	M10*1.25		
B-5	308280004	9075298	4251814663844	ANSI cross slotted head screw	十字沉头螺丝	M6*12		
B-13	308190006	9075285	4251814663677	Hex Socket Cap Bolt	内六角螺丝	M6*12		

Tiger VX (C手把部分) HANDLEBAR ASSY.

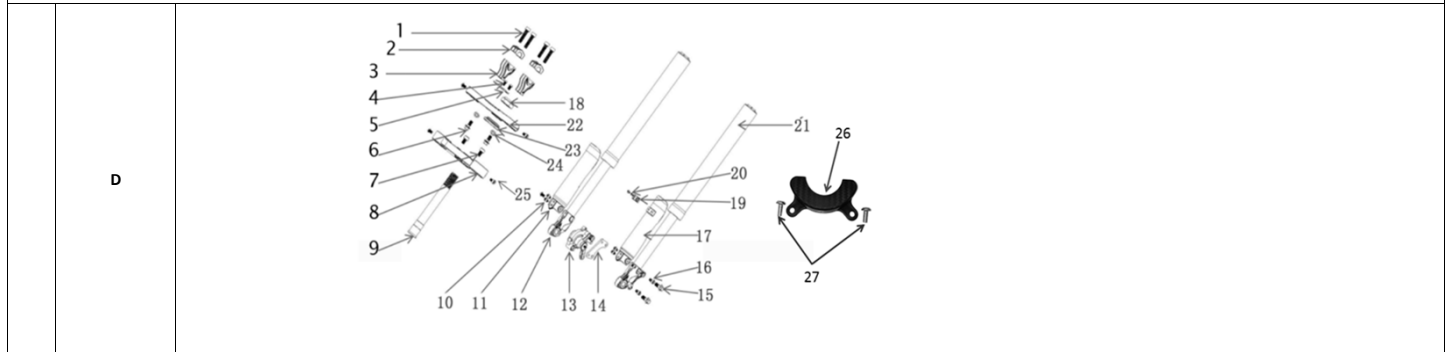
C



序号	零部件编号 SKU	Menila ET Art	EAN Code	英文名称 Spare part name in English	中文名称	规格Specification	order	Note
C-1	305010007	9075152	4251814691694	Left Rubber Grip	左把套	左, T247		
C-2	305020001	9075153	4251814691700	Left Rubber Grip Holder	电动小越野把套对称环			
C-3	305340007	9071217	4255816884047	Rear Brake Lever, Mechanical brake	左刹把	三指握距全铝刹把, 黑色手柄, 带断电(防水连接器)		
C-3	305120020	9071218	4255816884054	Rear Hydraulic Brake Assy.(complete with lever, cable and pump), waterproof cable connector,suitable for standard handlebar, L=1200mm	Tiger VX后油刹	L=1200mm, 下泵反2 黑色, 带断电(防水连接器), 凯洛斯		OPTION
C-4	305230010	9077300	4255816883613	Rear Brake Cable, Mechanical brake	刹车线	1200*1350mm		changed after rear brake line adjustme
C-5	302290004	90751540101	4251814691724	Handlebar, standard	手把管	L=600±5mm, MD07款, 亚光黑色		standard
C-6	305240001	9075155	4251814691731	Brake Cable End Cap	刹车线线帽	Brake Cable End Cap		
C-7	305230009	9071007	4251814682326	Front Brake Cable, Mechanical brake	刹车线	900*1050mm		
C-8	305330005	9071214	4255816883590	Rear Brake lever, mechanical	右刹把	三指握距全铝刹把, 黑色手柄, 带断电(防水连接器)		
C-8	305220008	9071215	4255816883606	Front Hydraulic Brake Assy.(complete with lever, cable and pump), waterproof cable connector,suitable for standard handlebar, L=850mm	前油刹	油管长度L=850mm, 下泵正2, 带断电(防水连接器), 下泵黑色,凯洛斯		OPTION
C-9	306500036	9074597	4255816883538	Throttle Assy With Electric Volume Meter 60V Lithium, waterproof cable connector	转把(总成)	半截式, 60V锂电电量表, 熄火开关(防水连接器)		
C-9	306500041	9074598	4255816883545	Throttle Assy With Electric Volume Meter 48V Lithium, waterproof cable connector	转把(总成)	半截式, 48V锂电电量表, 熄火开关, (含: 左把套T247, 右把套T246, 活动节, 对称环)(防水连接器)		
C-9	306500051	9074599	4255816883552	Throttle Assy With Electric Volume Meter 36V Lithium, waterproof cable connector	转把(总成)	半截式, 36V锂电电量表, 熄火开关, (含: 左把套T247, 右把套T246, 活动节, 对称环)(防水连接器)		
C-10	306510001	9075236	4251814660102	Throttle Inner Spacer	转把中间活动节	电动小越野		
C-11	305010005	9075156	4251814691755	Throttle Grip # T246	右把套	右, 半截式, T246		

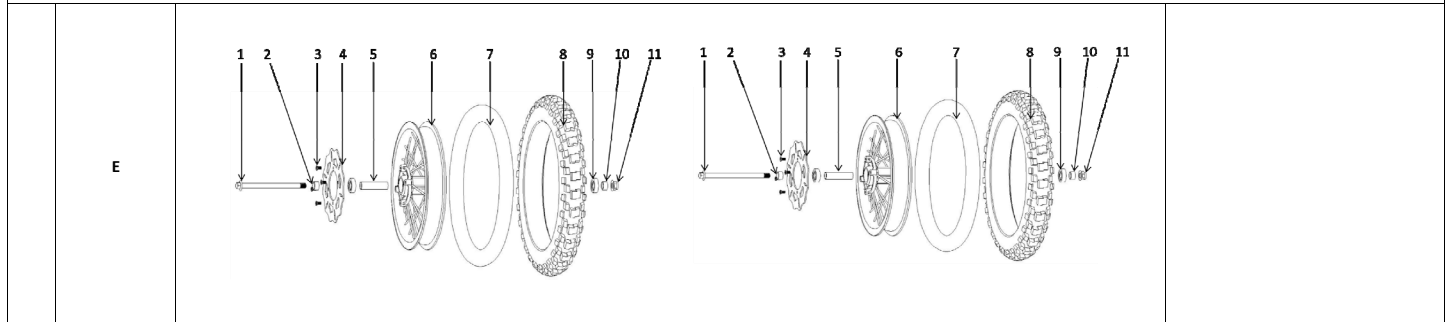
C-12	307270001	9075157	4251814691762	Handlebar Square Sponge, for standard handlebar	护胸棉			
C-13	307160001	90751580101	4255675432502	Handlebar Square Sponge Cover black for standard handlebar bl	横布条黑色			
C-14	305390029	9071135	4255675410371	Brake Lever, Hydraulic brake	油刹刹把 (左右通用)	黑色 (只要刹把), 凯洛斯		

Tiger VX (D前叉) FRONT SUSPENSION ASSY.



序号	零部件编号 SKU	Menila ET Art	EAN Code	英文名称 Spare part name in English	中文名称	规格Specification	order	Note
D-1	308190016	9076037	4251814691786	Hex Socket Cap Bolt	内六角螺丝	M8*20		
D-2	305260002	9073024	4251814691793	Casted Alu. Clamp of Handlebar	上锁扣, 压铸	E-MD07款, 压铸款, 银色		
D-3	305280002	9073025	4251814691809	Casted Alu. Holder of Handlebar	下锁扣, 压铸	E-MD07款, 压铸款, 银色		
D-22	305250002	9075160	4251814694046	Casted Upper Splintage	上联板	E-MD07款, 压铸铝连板, 银色		
D-8	305270002	9075161	4251814694053	Casted Alu. Lower Splintage	下联板	E-MD07款, 压铸铝连板, 银色		
D-9	302470001	9075162	4251814694060	Steering Rod fixed into Casted Alu. Lower Splintage	方向柱, 压铸联板	L=195mm		
D-2	305260001	9073103	4251814637678	Forged Alu. Clamp of Handlebar	上锁扣, 锻打	锻打款, 银色		OPTION
D-3	305280001	9073104	4251814637685	Forged Alu. Holder of Handlebar	下锁扣, 锻打	锻打款, 银色		OPTION
D-22	305250001	9073105	4251814637746	Forged Alu. Upper Splintage	上联板	锻打铝连板, 银色		OPTION
D-8	305270001	9073106	4251814637753	Forged Alu. Lower Splintage	下联板	锻打铝连板, 银色		OPTION
D-9	302470007	9073106	4251814637753	Steering Rod fixed into Forged Alu. Lower Splintage	方向柱, 锻打联板	L=198mm		OPTION
D-5	302480001	9075159	4251814694039	Number Plate Bracket	号码牌固定片	自产, 镀锌		
D-17	307500007	90770130101	4251814694084	Fork Foot Cover L, Black	前叉护板左	黑色		
D-11	307500001	90770120101	4251814694077	Fork Foot Cover R, Black	前叉护板右	黑色		
D-19	307210004	9075165	4251814694138	Front Brake Cable Clip	前刹车线线扣	款前叉护板配套		
D-12	304160024	90770960101	4255816884061	Fork-RIGHT, black color, L:615mm	前减震右	液压倒置, $\phi 39^{\circ}\phi 42^{\circ}\phi 615\text{mm}$, 小头, 黑色 (易想)		
D-12	304160027	90770961212	4255816884078	Fork-RIGHT, gold color, L:615mm	前减震右	液压倒置, $\phi 39^{\circ}\phi 42^{\circ}\phi 615\text{mm}$, 小头, 钛金色 (易想)		OPTION
D-21	304170024	90770970101	4255816884085	Fork-LEFT, black color, L:615mm	前减震左	液压倒置, $\phi 39^{\circ}\phi 42^{\circ}\phi 615\text{mm}$, 大头, 黑色 (易想)		
D-21	304170027	90770971212	4255816884092	Fork-LEFT, gold color, L:615mm	前减震左	液压倒置, $\phi 39^{\circ}\phi 42^{\circ}\phi 615\text{mm}$, 大头, 钛金色 (易想)		OPTION
D-13	305390041	9077303	4255816883644	Front Brake Caliper,Hydraulic, black	前液压碟刹下泵 (卡钳)	下泵正2, 黑色, 凯洛斯		
D-14	302250001	9075163	4251814694114	Front Brake Caliper Holder	前碟刹器固定片			
D-18	308060001	9075164	4251814694121	Nut Cap	盖形螺母	M22*1.0mm		
D-23	308070001	9075166	4251814694145	Lock Nut	盖形锁紧螺母	M22		
D-26	307730001	9077301	4255816883620	Steering stop plate cover	转向护罩	E-MD07款联板用		NEW part since 2023
D-4	308160001	9075218	4251814657836	Hex Socket Cap Bolt,Button Head	内六角半圆头螺丝	M6*12		
D-6	308190002	9075237	4251814660119	Hex Socket Cap Bolt	内六角螺丝	M10*25*1.5		
D-7	308190015	9075239	4251814660133	Hex Socket Cap Bolt	内六角螺丝	M8*16		
D-10	308250001	9077302	4255816883637	Phillip's Head Screw,button head	十字半圆头螺丝	M6*8		
D-15	308020029	9075240	4251814660140	Flange Bolt	法兰螺丝	M6*25		
D-16	308190006	9075285	4251814663677	Hex Socket Cap Bolt	内六角螺丝	M6*12		
D-20	308270003	9075241	4251814660157	Cross self-tapping screw, Flat Head	十字扁头自攻	M4*12		
D-24	308010001	9075242	4251814660164	Spring Washer	弹垫	$\phi 10$		
D-25	308190016	9076037	4251814691786	Hex Socket Cap Bolt	内六角螺丝	M8*20		
D-27	308160001	9075218	4251814657836	Hex Socket Cap Bolt,Button Head	内六角半圆头螺丝	M6*12		

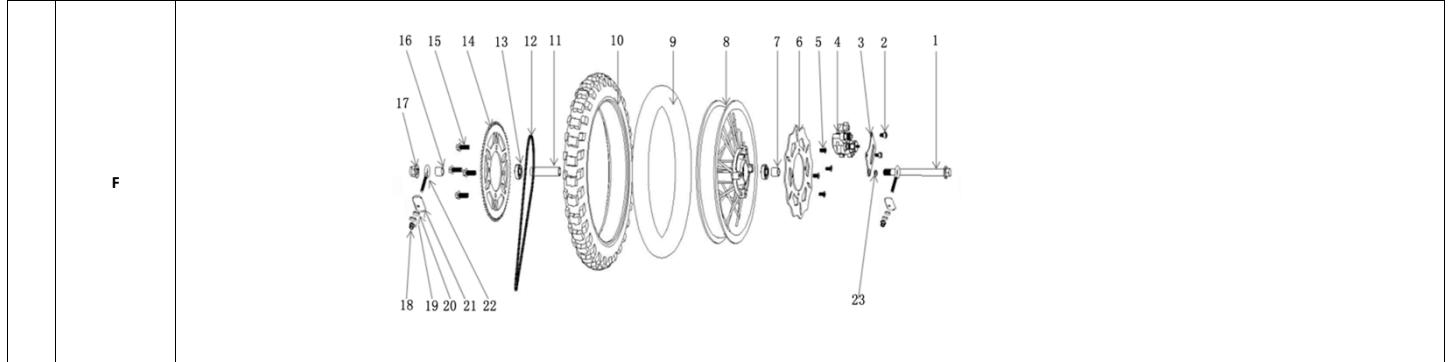
Tiger VX (E前轮) FRONT WHEEL&TIRE ASSY.



序号	零部件编号 SKU	Menila ET Art	EAN Code	英文名称 Spare part name in English	中文名称	规格Specification	order	Note
E-1	308020022	9076004	4251814682302	Flange Bolt(Front wheel axle)	法兰螺丝	M12*200*1.25		
E-2	308090032	9075167	4251814694152	Front Wheel Spacer, L	前轮左边隔套	$\phi 20^{\circ}\phi 12.5^{\circ}25\text{mm}$		
E-3	308160002	9075171	4251814694220	Hex Socket Cap Bolt,Button Head	内六角半圆头螺丝	M6*16		
E-4	305030004	9071005	4251814682180	Front Wheel Brake Disc	碟刹盘	$\phi 180^{\circ}2\text{mm}$, 中心孔: $\phi 72\text{mm}$		
E-5	308090063	9075168	4251814694169	Front Wheel Hub inner spacer	前轮中间隔套	$\phi 12.5^{\circ}\phi 16^{\circ}54$		

E-6	304080075	9073645	4255816883705	Front Wheel Rim&Hub 1.6-12", STEEL, Black	铁轮毂, 前轮	前轮, 黑色辐条铁轮毂, 1.6-12		1173180+82
E-7		9120348	4255816883729	Inner tube,60/100-12 Junkai	前轮内胎	2.75-12 (60/100-12)		1173180+82
E-8		9120349	4255816883736	Outer tire ,60/100-12 Junkai	前轮外胎	2.75-12 (60/100-12), 深齿花纹		1173180+82
E-6	304080040	9073500	4251814682166	Front Wheel Rim&Hub 1.6-14", STEEL, Black	铁轮毂, 前轮	前轮, 黑色铁轮毂(辐条) 1.4-14		1173183+84+85
E-7	304090006	9120045	4251814680506	Inner tube,60/100-14	前轮内胎	前轮内胎, 60/100-14		1173183+84+85
E-8	304100006	9120044	4251814680490	Outer tire ,60/100-14	外胎	前轮外胎, 60/100-14, 深齿花纹		1173183+84+85
E-9	304290021	9075169	4251814694206	Wheel Bearing # 6301	轴承	6301		
E-10	308090031	9075170	4251814694213	Front Wheel Spacer, R	E-MD07款前轮右边隔套	φ20*φ12.5*23mm		
E-11	308350002	9075172	4251814694237	Self-lock Nut	自锁螺母	M12*1.25		

Tiger VX (F后轮) REAR WHEEL&TIRE ASSY.



序号	零部件编号 SKU	Menila ET Art	EAN Code	英文名称 Spare part name in English	中文名称	规格Specification	order	Note
F-1	308020023	9077306	4255816883675	Flange Bolt(Rear wheel axle) M12*215*1.25	法兰螺丝	M12*215*1.25		
F-3	302140001	9075174	4251814694251	Rear Brake Caliper Holder	后碟刹器固定片			
F-4	305390042	9071216	4255816883750	Rear Brake Caliper,Hydraulic, black	后液压碟刹下泵(卡钳)	下泵反2, 黑色 凯洛斯		
F-5	308160002	9075171	4251814694220	Hex Socket Cap Bolt,Button Head	内六角半圆头螺丝	M6*16		
F-6	305030004	9071005	4251814682180	Brake Disc	碟刹盘	φ180*2mm, 中心孔: φ72mm		
F-7	308090029	9075175	4251814694268	Rear Wheel Spacer,L	后轮左隔套	φ20*φ12.5*17mm		
F-8	304080077	9073646	4255816883712	Rear Wheel Rim&Hub 1.6-12", STEEL, Black	后轮毂	后轮, 黑色辐条铁轮毂, 1.6-12		1173180+82
F-9		9120348	4255816883729	Inner tube,60/100-12 Junkai	内胎	2.75-12 (60/100-12)		1173180+82
F-10		9120349	4255816883736	Outer tire ,60/100-12 Junkai	外胎	2.75-12 (60/100-12), 深齿花纹		1173180+82
F-8	304080036	9073501	4251814682173	Rear Wheel Rim&Hub 1.85-12", STEEL, Black	后轮毂	E-MD07后轮, 黑色铁轮毂(辐条) 1.85-12		1173183+84+85
F-9		9120043	4251814680483	Inner tube,80/100-12 Junkai	内胎	E-MD07后轮内胎, 80/100-12		1173183+84+85
F-10		9120042	4251814680476	Outer tire ,80/100-12 Junkai	外胎	E-MD07后轮外胎, 80/100-12, 深齿花纹		1173183+84+85
F-11	308090064	9075179	4251814694336	Rear Wheel Hub inner spacer	后轮中间隔套	φ12*φ16*72		Wheel hub inclisive
F-12	303040033	9072343	4255816883743	Chain T8F-154 Links	链条	加长后又通用, T8F-154节,		适用于加长款后又
F-13	304290021	9075169	4251814694206	Wheel Bearing # 6301	轴承	6301		Wheel hub inclisive
F-14	303020015	9072039	4255816883767	Driven Sprocket T8F-68T	链轮	T8F-68齿, 内孔φ76mm, 电泳黑		
F-15	308020037	9075243	4251814660171	Flange Bolt	法兰螺丝	M8*16		
F-16	308090034	9075177	4251814694312	Rear Wheel Spacer,R	后轮右隔套	φ20*φ12.5*34mm		
F-17	308350002	9075172	4251814694237	Self Lock Nut	自锁螺母	M12*1.25		
F-21	303110001	9077304	4255816883651	Chain adjuster holder	千斤片			
F-22	303100001	9077305	4255816883668	Chain adjuster	千斤	(φ20*4*17)-M8*40mm 隔套/内六角螺丝		
F-2	308190006	9075285	4251814663677	Hex Socket Cap Bolt	内六角螺丝	M6*12		
F-18	308050006	9075234	4251814660089	Lock Nut	防松螺母	M8		
F-19	308010005	9075306	4251814663943	Spring Washer	弹垫	φ8		
F-20	308210010	9075361	4251814667040	Flat Washer	平垫	φ8*φ16*1.5		
F-23	308210004	9075244	4251814660188	Flat Washer	平垫	φ12*φ24*3		

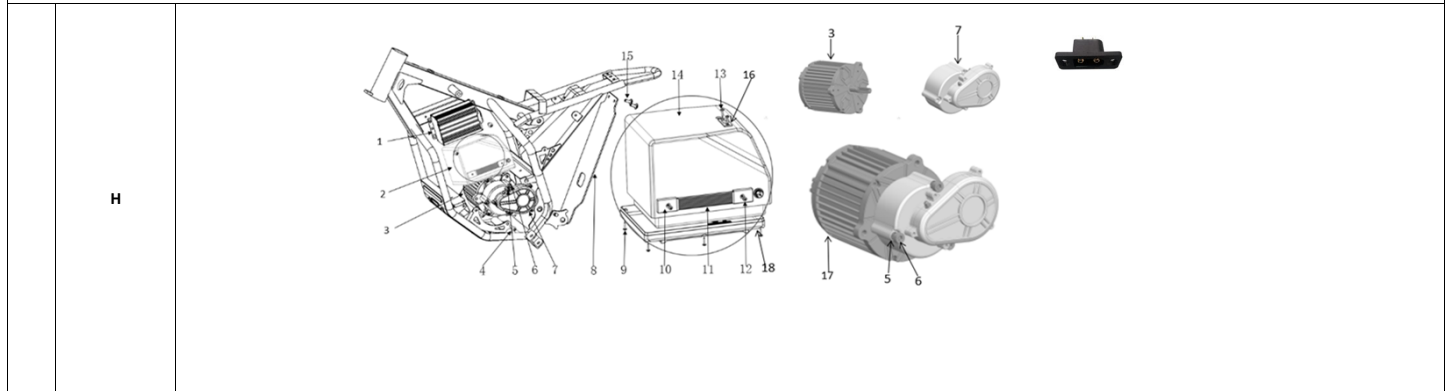
Tiger VX配件清单 (G 塑件) PLASTIC BODY KITS

G

序号	零部件编号 SKU	Menila ET Art	EAN Code	英文名称 Spare part name in English	中文名称	规格Specification	order	Note
G-2	307150002	90730090808	4251814682111	Number Plate,White	号码牌	白色		

G-3	307510002	90733900101	4255675451718	Front Mudguard, Black	前挡泥板	黑色		
G-5	307740001	9073543	4255816883958	Battery Box Clamp, R	电池盒右压块 (注塑)	电池盒压块		
G-6	307740002	9073544	4255816883965	Battery Box Clamp, L	电池盒左压块 (注塑)	电池盒压块		
G-7	308370001	9073545	4255816883972	Quick-release Bolt, Alu.,black	黑色铝合金螺丝	M6*10		standard
G-8	307450012	9073546	4255816883989	Chain cover, lower	链罩下段《短》			
G-10	307450010	9073547	4255816883996	Chain cover, upper	链罩上段《长》			
G-23	307570014	90735370101	4255816883897	Front Plastic Cover, L, Black	前左侧板塑件	黑色		
	307530014	90735380101	4255816883903	Front Plastic Cover, R, Black	前右侧板塑件	黑色		
G-13	307260006	90735390101	4255816883910	Rear Side Plastic-2, L, Black	后左侧板塑件	黑色		
	307240006	90735400101	4255816883927	Rear Side Plastic-2, R, Black	后右侧板塑件	黑色		
G-14	307040004	90735410101	4255816883934	Rear Side Plastic-1, L, Black	三角板塑件左	黑色		
	307040003	90735420101	4255816883941	Rear Side Plastic-1, R, Black	三角板塑件右	黑色		
G-17	307220006	90733910101	4255675451725	Tail plastic,Black	后尾板塑件	黑色		
G-20	307680320	90797560101	4255816883859	Seat, Black	座垫	篮球纹皮 黑色		standard
G-21	307280006	9073534	4255816883866	Fake fuel tank	假油壶			
G-21	307290015	9073535	4255816883873	Fake fuel tank cap	假油壶盖板			
G-25	306320002	9073536	4255816883880	Wire collecting box	长方形线盒			
G-1	308170002	9075289	4251814663721	Hex Socket Cap Bolt,Flat Head	内六角大扁头螺丝	M6*12		
G-4	308170002	9075289	4251814663721	Hex Socket Cap Bolt,Flat Head	内六角大扁头螺丝	M6*12		
G-9	308200001	9075238	4251814660126	Hex Socket Cap Bolt,Flat Head	内六角小扁头螺丝	M6*8		
G-11	308160002	9075171	4251814694220	Hex Socket Cap Bolt,Button Head	内六角半圆头螺丝	M6*16		
G-12	308160002	9075171	4251814694220	Hex Socket Cap Bolt,Button Head	内六角半圆头螺丝	M6*16		
G-15	308050006	9075234	4251814660089	Lock Nut	防松螺母	M8		
G-16	308260002	9075398	4251814669129	Phillip's Head Screw,Flat head	十字扁头螺丝	M5*12		
G-18	308160002	9075171	4251814694220	Hex Socket Cap Bolt,Button Head	内六角半圆头螺丝	M6*16		
G-19	308050005	9075228	4251814660027	Lock Nut	防松螺母	M6		
G-22	308270003	9075241	4251814660157	Cross self-tapping screw, Flat Head	十字扁头自攻	M4*12		
G-24	308190004	9075291	4251814663745	Hex Socket Cap Bolt	内六角螺丝	M5*16		
G-26	308040003	9075252	4251814660263	Antiskid Nut	防滑螺母	M6		
G-27	308160002	9075171	4251814694220	Hex Socket Cap Bolt,Button Head	内六角半圆头螺丝	M6*16		
G-28	308040002	9075246	4251814660201	Antiskid Nut	防滑螺母	M5		
G-29	308170003	9075249	4251814660232	Hex Socket Cap Bolt,Flat Head	内六角大扁头螺丝	M6*16		
G-30	308170003	9075249	4251814660232	Hex Socket Cap Bolt,Flat Head	内六角大扁头螺丝	M6*16		
G-31	308210010	9075361	4251814667040	Flat Washer	平垫	Φ8*Φ16*1.5		






Tiger VX配件清单 (H电器件) ELECTRONIC PARTS.



序号	零部件编号 SKU	Menila ET Art	EAN Code	英文名称 Spare part name in English	中文名称	规格Specification	order	Note
H-1	306340030	9070149	4255675451626	60V2000W Controller/ Output limit 45A	Tiger VX, 60V无刷, 控制器 (黑色)	锐芯, 60V/2000W, 限流45A, 2功能可调 (防水连接器)		Hall cable and handlebar with waterproof plug, 1173184
H-1	306340040	9070148	4255675451619	48V1600W Controller/ Output limit 38A	Tiger VX, 48V无刷, 控制器 (黑色)	锐芯, 48V/1500+W(贴1600W), 限流38A, 2功能可调 (防水连接器)		1173182
H-1	306340043	9070147	4255675451602	36V1000W Controller/ Output limit 32A	Tiger VX, 36V无刷, 控制器 (黑色)	锐芯, 36V/1000W, 限流32A, 2功能可调 (防水连接器)		1173180
H-2	306200021	9070281	4255675451695	60V15.6AH lithium battery complete with battery box	(攸攸) 锂电池	锂电池60V/15.6AH, Tiger VX款		1173184+85
H-2	306200023	9070280	4255675451688	48V13AH lithium battery complete with battery box	(攸攸) 锂电池	锂电池48V/13AH, Tiger VX款		1173182
H-2	306200022	9070279	4255675451671	36V13AH lithium battery complete with battery box	(攸攸) 锂电池	锂电池36V/13AH, Tiger VX款		1173180
H-3	301020020	9079136	4255675451589	60V2000W Brushless Motor(without gear box),silver color	无刷电机 (加长轴) 银色标配	Tiger VX, 60V/2000W, 无刷 (防水连接器/霍尔)		1173184+85
H-3	301020038	9079137	4255675451596	48V1600W Brushless Motor(without gear box),silver color	无刷电机 (加长轴) 银色标配	Tiger VX, 48V/1500+W(贴1600W), 无刷 (防水连接器/霍尔),不含减速箱, 银色		1173182+83
H-3	301020037	9079135	4255675451572	36V1000W Brushless Motor(without gear box),silver color	无刷电机 (加长轴) 银色标配	Tiger VX, 36V/1000W, 无刷 (防水连接器/霍尔) 不含减速箱, 银色		1173180
H-7	303160002	9077314	4255816883835	Gear Box T8F-19T, Black	变速箱,黑色	Tiger VX电动款, T8F-19齿		
H-17	301020039	9079136	4255675451589	60V2000W Brushless Motor complete with gear box, silver motor + black gear box	无刷电机 (加长轴) 银色电机配黑色变速箱	Tiger VX, 60V/2000W+, 加工装变速箱T8F-19齿, 无刷 (防水连接器/霍尔)		1173184+85
H-17	301020033	9079137	4255675451596	48V1600W Brushless Motor complete with gear box, silver motor + black gear box	无刷电机 (加长轴) 银色电机配黑色变速箱	Tiger VX, 48V/1500W+(贴1600W), 加工装变速箱T8F-19齿, 无刷 (防水连接器/霍尔)		1173182+83
H-17	301020032	9079135	4255675451572	36V1000W Brushless Motor complete with gear box, silver motor + black gear box	无刷电机 (加长轴) 银色电机配黑色变速箱	Tiger VX, 36V/1000W, 加工装变速箱T8F-19齿, 无刷 (防水连接器/霍尔)		1173180
H-8	307190001	90730270101	4251814656556	Rear Mud-guard	后挡泥胶皮	橡胶材质		
H-10	307350002	9077312	4255816883811	Battery box handle	电池盒提手 (含固定扣) 黑色橡胶可伸缩	23mm*180mm		
H-16	306030014	9077313	4255816883828	Power Supply Socket XT90E	锂电池盒电源连接插座 XT90E-公头	XT90E-公头		
H-14	307310007	9073548	4255816884009	Battery box upper cover	电池盒 (上盖)	塑料电池盒, 上盖		



H-18	307310006	9073549	4255816884016	Battery box bottom cover	Tiger VX电池盒(下盖)	塑料电池盒, 下盖		
H-4	308020027	9075365	4251814667088	Flange Bolt	法兰螺丝	M6*16		螺丝加耐高温厌氧胶
H-5	308010004	9075253	4251814660270	Spring Washer	弹垫	φ6		
H-6	308190026	9077310	4255816883798	Hex Socket Cap Bolt	内六角螺丝	M6*50		
H-9	308300001	9075345	4251814664957	Cross self-tapping screw, Button Head	十字半圆自攻	M4*16		
H-12	308290002	9077311	4255816883804	Cross self-tapping screw, Countersunk Head	十字沉头自攻, 去尖	M4*12		电池厂家装配
H-13	308290001	9075295	4251814663813	Cross self-tapping screw, Countersunk Head	十字沉头自攻	M4*10		
H-15	308170002	9075289	4251814663721	Hex Socket Cap Bolt, Flat Head	内六角大扁头螺丝	M6*12		

Tiger VX配件清单 (I 电缆线) WIRINGS

1		2		3	
4		5			

序号	零部件编号 SKU	Menila ET Art	EAN Code	英文名称 Spare part name in English	中文名称	规格Specification	order	Note
I-1	306090038	9070814	4255675452746	60V charger for lithium battery, EU Plug	60V锂电充电器	60V/2A锂电充电器, 欧标(富源电)		1173084+85
I-1	306090033	9070813	4255675452739	48V charger for lithium battery, EU Plug	48V锂电充电器	54.6V2A 锂电充电器, 欧标, 谐同		1173082+83
I-1	306090043	9070812	4255675451664	36V charger for lithium battery, EU Plug	36V锂电充电器	42V2A 锂电充电器, 欧标, 谐同		1173080
I-2	306320001	9076016	4251814683712	Wiring junction box	接线盒	3线接线盒		
I-3	306580006	9077308	4255816883699	Waterproof wiring adaptor	防水连接器	1T3 (一拖三主线)		
I-4	306250006	9077309	4255816883781	2- Adjustable Function wiring assy. ED10-2	电位器总成	ED10-2, 2功能状态, L=200mm		
I-5	306060003	9078021	4251814658086	Charging Port, EDQA15	电动小越野, 电动小四轮充电口	EDQA15, 电池盒上, 2.8插片, L=80±5mm		

Tiger VX配件清单 (J 其他) OTHERS

J 1		2		3	
4				4	

序号	零部件编号 SKU	Menila ET Art	EAN Code	英文名称 Spare part name in English	中文名称	规格Specification	order	Note
J-1	307600019	90739500303	4255675464237	Sticker set red	贴花	Tiger VX款		1173180
J-1	307600019	90739500202	4255675451633	Sticker set blue	贴花	Tiger VX款		1173180
J-1	307600019	90739500404	4255675451640	Sticker set green	贴花	Tiger VX款		1173180
J-1	307600019	90739500505	4255675451657	Sticker set orange	贴花	Tiger VX款		1173180
J-1	307600019	90739560303	4255675480145	Sticker set red	贴花	Tiger VX款		1173182+83
J-1	307600019	90739560202	4255675480152	Sticker set blue	贴花	Tiger VX款		1173182+83
J-1	307600019	90739560404	4255675480169	Sticker set green	贴花	Tiger VX款		1173182+83
J-1	307600019	90739560505	4255675480176	Sticker set orange	贴花	Tiger VX款		1173182+83
J-1	307600019	90739570303	4255675480183	Sticker set red	贴花	Tiger VX款		1173184+85
J-1	307600019	90739570202	4255675480190	Sticker set blue	贴花	Tiger VX款		1173184+85
J-1	307600019	90739570404	4255675480206	Sticker set green	贴花	Tiger VX款		1173184+85
J-1	307600019	90739570505	4255675480213	Sticker set orange	贴花	Tiger VX款		1173184+85
J-2	305390009	9071009	4251814682548	Brake Pad (2pcs/set) for mechanical brake	刹车铜基蹄块套装(2只1套)	刹车蹄块, 铜基		
J-2	305390008	9071006	4251814682296	Hydraulic brake friction pads	液压刹车摩擦片	两片为1套, 套装, 凯洛斯		
J-3	303040024	9012601	4251684905891	T8F Chain Connector	T8F链条扣	T8F型链条扣		
J-4	308020057	9077307	4255816883682	Torx-fixing Screw of Fuel Tank Cap	特殊螺丝	固定油壶盖, M3*10		
J-4	301020029	9072040	4255816883774	Drive Sprocket T8F-19	变速箱齿轮	T8F-19齿		



www.nitromotors.de

Copyright © 2025 Nitromotors | All rights reserved. "Nitromotors" is a registered trademark of Menila Import. Druckfehler und Irrtümer vorbehalten. Menila Import | Hafensbahnstr. 5 | 45881 Gelsenkirchen | E-Mail: parts@menilagroup.de