

ART-NR. 1173072

1000W TIGER**E-DIRTBIKE**

www.nitromotors.de

ERSATZTEILLISTE | SPARE PARTS LIST

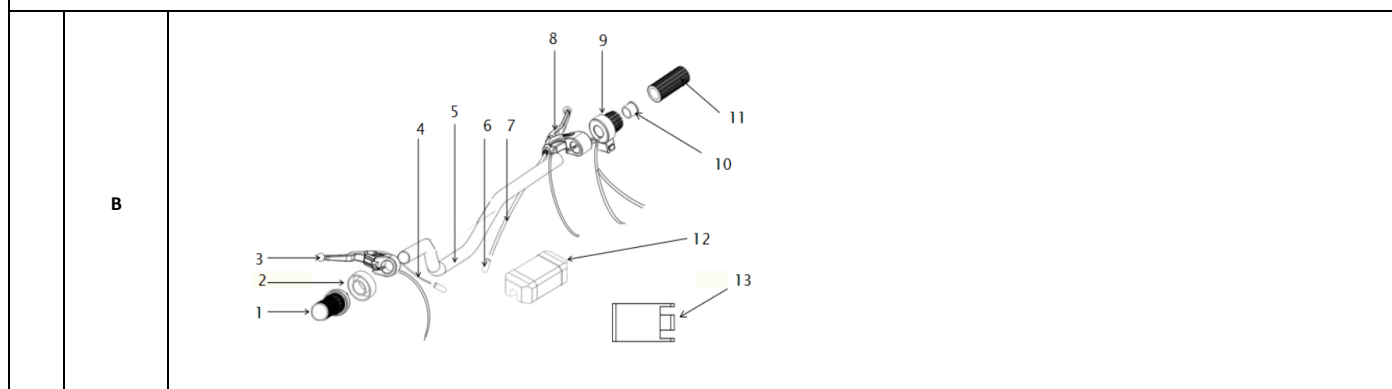
VERS. 1.0 | 08.08.2025

(A车架) FRAME ASSY.

序号	零部件编号 SKU	Menila Art.	EAN Code	英文名称 Spare part name in English	中文名称	规格 Specification	ORDER	Note
A-1	304290016	9075150	4251814691519	Tapered Bearing Kit Upper	上部锥度轴承	91683/22.5(含钢碗)		only set
	304290017	9075151	4251814691526	Tapered Bearing Kit Lower	下部锥度轴承	91683/24		
A-4	302030073	9,0796E+10	4251814691533	Frame, Black	车架	黑色		
A-34	302050001	9077673	4255675410357	Lead Acid Battery Holding Cage	铁电池盒	12AH电池专用·金工件·铁电池盒		
A-6	302430009	9,076E+10	4251814682210	Footrest, L	左脚踏	款长脚踏		
A-31	302430006	9,076E+10	4251814682227	Footrest, R	右脚踏	款长脚踏		
A-7	308090035	9076024	4251814691540	Rear Swing Arm Spacer	后叉隔套	φ20*φ12.5*5mm		
A-8	304290009	9076025	4251814691557	Rear Swing Arm Bearing #6200	轴承	6200Z非标内孔φ12		
A-9	308020018	9075173	4251814694244	Flange Bolt	法兰螺丝	M12*180*1.25		
A-33	308350002	9075172	4251814694237	Self Lock Nut	自锁螺母	M12*1.25		
A-10	307390005	9076036	4251814691687	Rear Swing Arm Axle cover	后叉轴胶塞	D=32		
A-11	308090043	9076026	4251814691564	Middle Spacer Of Footrest	小越野脚踏隔套	φ8*0.8*24mm		
A-12	305190001	9076027	4251814691571	Left Footrest Spring	脚踏扭簧左	φ2*φ14.5*12mm左新款		
A-32	305180001	9076028	4251814691588	Right Footrest Spring	脚踏扭簧右	φ2*φ14.5*12mm右		
A-15	305170002	9076029	4251814691595	Side Stand Spring	脚撑拉簧	φ15*φ2.5*100mm		
A-16	302190002	9,076E+10	4251814691601	Side Stand For Rear Wheel 10"	短脚撑	L=265mm, 12/10寸轮		
A-17	308090016	9076031	4251814691618	Side Stand Spacer	小越野脚撑隔套	φ16*φ10.2*20mm		
A-21	302330007	9,0785E+10	4251814691625	Rear Swing Arm For Rear Wheel 10"	短后叉	短后叉哑光黑色·12/10寸轮用		
A-22	304020027	9077011	4251814691632	Rear Shock, Gold color, #5	后减震 #5	φ8-250mm油压·白色弹簧·钛金色铝头 [c		
A-25	304290014	9076086	4251846176398	Chain Tensioner Bearing #698Z	轴承	698Z		
A-26	303130003	9076033	4251814691656	Chain Tensioner	涨紧轮	φ19*φ28*24mm, 小越野款		
A-27	302440003	9076034	4251814691663	Chain Tensioner Bracket	涨紧轮支架			
A-28	305350002	9076035	4251814691670	Chain Tensioner Spring	涨紧轮弹簧			
A-2	308150001	9075226	4251814660003	Rivet	铆钉	φ3.2*9		
A-3	302230001			CE plate	铝牌	安装孔距: 56mm		
A-5	308190012	9075227	4251814660010	Hex Socket Cap Bolt	内六角螺丝	M6*40		
A-13	308050005	9075228	4251814660027	Lock Nut	防松螺母	M6		

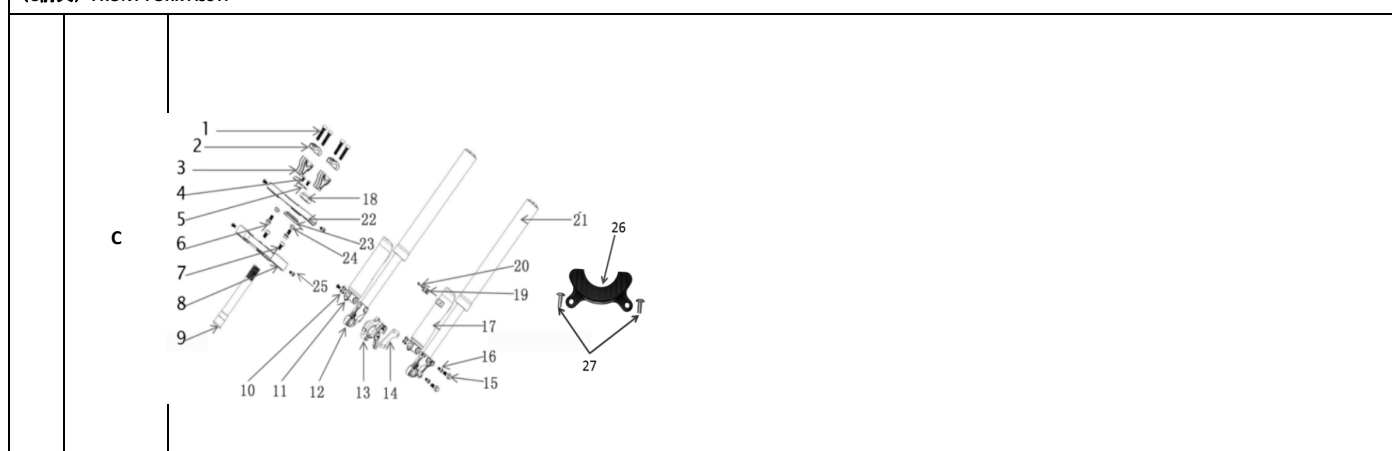
A-14	308320001	9075229	4251814660034	Hex Socket Cap Bolt	外六角螺丝	M10*35*1.5		
A-18	308210001	9075230	4251814660041	Flat Washer	平垫	φ10*φ20*1.5		
A-19	308050001	9075231	4251814660058	Lock Nut	防松螺母	M10*1.5		
A-20	308020011	9075232	4251814660065	Flange Bolt	法兰螺丝	M10*40*1.25		
A-23	308350001	9075198	4251814656952	Self Lock Nut	自锁螺母	M10*1.25		
A-24	308050005	9075228	4251814660027	Lock Nut	防松螺母	M6		
A-29	308050006	9075234	4251814660089	Lock Nut	防松螺母	M8		
A-30	308210010	9075361	4251814667040	Flat Washer	平垫	φ8*φ16*1.5		
A-35	308190007	9075171	4251814694220	Hex Socket Cap Bolt	内六角螺丝	M6*16		

(B手柄部分) HANDLEBAR ASSY.



序号	零部件编号 SKU	Menila Art.	EAN Code	英文名称 Spare part name in English	中文名称	规格 Specification	ORDER	Note
B-1	305010007	9075152	4251814691694	Left Rubber Grip	左把套	左, T247		
B-2	305020001	9075153	4251814691700	Left Rubber Grip Holder	电动小越野把套 对称环			
B3+B8	305340004	9071003	4251814682012	Left Brake Lever, Mechanical brake	左机械刹刹把	三指握距全铝刹把·黑色手柄·带刹		
	305390029	9071135	4255675410371	L/R Brake Lever, Hydraulic brake	左油刹刹把 (左右通用)	左油刹刹把, 黑色 (只要刹把)		
B-4	305230008	9071008	4251814682333	Rear Brake Cable, Mechanical brake	刹车线	1150*1300mm		
B-5	302290004	9,0752E+10	4251814691724	Handlebar	手把管	L=600±5mm, MD07款, 亚光黑色		
B-6	305240001	9075155	4251814691731	Brake Cable End Cap	刹车线线帽	Brake Cable End Cap		
B-7	305230009	9071007	4251814682326	Front Brake Cable, Mechanical brake	刹车线	900*1050mm		
B3+B8	305340004	9071003	4251814682012	Left Brake Lever, Mechanical brake	左机械刹刹把	三指握距全铝刹把·黑色手柄·带刹 车开全线		
	305390029	9071135	4255675410371	L/R Brake Lever, Hydraulic	右油刹刹把 (左右通用)	右油刹刹把, 黑色 (只要刹把)		
B-9	306500002	9072606	4251814686638	Throttle Assy With Electric Volume Meter 36V Lead acid	转把	半截式, 36V铅酸电量显示和熄火开关		
	306500001	9072605	4251814686621	Throttle Assy With Electric Volume Meter 36V Lithium	转把	半截式, 36V锂电电量显示和熄火开关		
B-10	306510001	9075236	4251814660102	Throttle Inner Spacer	转把中间活动节	电动小越野		
B-11	305010005	9075156	4251814691755	Throttle Grip	右把套	右, 半截式, T246		
B-12	307270001	9075157	4251814691762	Handlebar Foam	护胸棉			
B-13	307160001	9,0752E+10	4251814691779	Foam Cover orange	横布条 橘色			
B-13	307160001	9,0752E+10	4255675417899	Foam Cover red	横布条 红色			
B-13	307160001	9,0752E+10	4255675417905	Foam Cover green	横布条 绿色			
B-13	307160001	9,0752E+10	4255675417912	Foam Cover blue	横布条 蓝色			
B-13	307160001	9,0752E+10	4255675417929	Foam Cover yellow	横布条 黄色			

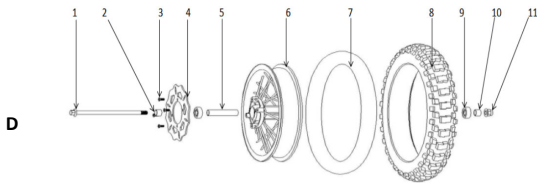
(C前叉) FRONT FORK ASSY.



序号	零部件编号 SKU	Menila Art.	EAN Code	英文名称 Spare part name in English	中文名称	规格 Specification	ORDER	Note
C-1	308190016	9076037	4251814691786	Hex Socket Cap Bolt	内六角螺丝	M8*20		
C-2	305260002	9073024	4251814691793	Casted Alu. Clamp of Handlebar	上锁扣·压铸	压铸款·银色		
C-3	305280002	9073025	4251814691809	Casted Alu. Holder of Handlebar	下锁扣·压铸	压铸款·银色		
C-5	302480001	9075159	4251814694039	Number Plate Bracket	号码牌固定片	自产·镀锌		
C-22	305250002	9075160	4251814694046	Casted Upper Splintage	上联板·压铸	压铸铝连板·银色		

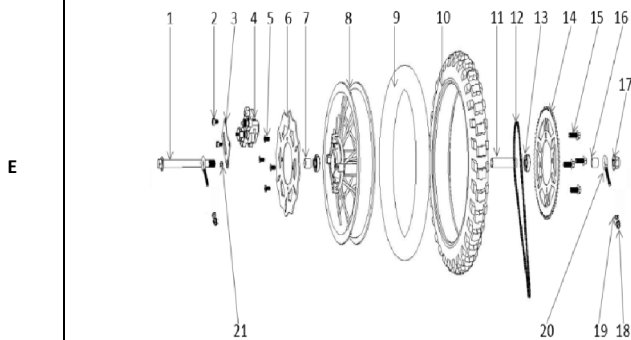
C-8	305270002	9075161	4251814694053	Casted Alu. Lower Splintage	下联板·压铸	压铸铝连板·银色		
C-9	302470001	9075162	4251814694060	Steering Rod	方向柱·压铸	L=195mm		
C-11	307500001	9077012	4251814694077	Fork Foot Cover, R, Black	前叉护板,右	黑色		
C-17	307500007	9077013	4251814694084	Fork Foot Cover L, Black	前叉护板,左	黑色		
C-12	304160010	9077014	4251814694091	Right Fork, Gold Color, L:600mm	前叉, 右	液压倒置· $\phi 39*\phi 42*600$ mm, 小头·钛金色		
C-21	304170010	9077015	4251814694107	Left Fork, Gold Color,L:600mm	前叉, 左	液压倒置· $\phi 39*\phi 42*600$ mm, 大头·钛金色		
C-13	305130009	9071013	4251814683842	Front Brake Caliper, Mechanical	机械碟刹器, 前	正2-9款, 黑色		
	305220002	9071001	4251814654194	Front Hydraulic brake assy.(complete with brake lever, pump, hose, caliper)	前液压碟刹总成(含刹把, 油泵, 油管, 碟刹卡钳), 无断电	L=800mm, 下泵正2黑色, 不带刹车开关线		
C-14	302250001	9075163	4251814694114	Front Brake Caliper Holder	前碟刹器固定片	款		
C-18	308060001	9075164	4251814694121	Nut Cap	盖形螺母	M22*1.0mm		
C-23	308070001	9075166	4251814694145	Lock Nut	盖形锁紧螺母	M22		
C-26	307730001	9013810	4255675410227	Steering stop plate cover	转向护罩	款联板用		
C-19	307210004	9075165	4251814694138	Front Brake Cable Holder	前刹车线线扣	小越野液压·前叉护板配套		
C-4	308160001	9075218	4251814657836	Hex Socket Cap Bolt,Button Head	内六角半圆头螺丝	M6*12		
C-6	308190002	9075237	4251814660119	Hex Socket Cap Bolt	内六角螺丝	M10*25*1.5		
C-7	308190015	9075239	4251814660133	Hex Socket Cap Bolt	内六角螺丝	M8*16		
C-10	308250001	9075238	4251814660126	Philip's Head Screw,button head	十字半圆头螺丝	M6*8		
C-15	308020029	9075240	4251814660140	Flange Bolt	法兰螺丝	M6*25		
C-16	308190006	9075285	4251814663677	Hex Socket Cap Bolt	内六角螺丝	M6*12		
C-20	308270003	9075241	4251814660157	Cross self-tapping screw, Flat Head	十字扁头自攻	M4*12		
C-24	308010001	9075242	4251814660164	Spring Washer	弹垫	$\phi 10$		
C-25	308190016	9076037	4251814691786	Hex Socket Cap Bolt	内六角螺丝	M8*20		
C-27	308160001	9075218	4251814657836	Hex Socket Cap Bolt,Button Head	内六角半圆头螺丝	M6*12		

(D前轮) FRONT WHEEL&TIRE ASSY.



序号	零部件编号 SKU	Menila Art.	EAN Code	英文名称 Spare part name in English	中文名称	规格 Specification	ORDER	Note
D-1	308020022	9076004	4251814682302	Flange Bolt(Front wheel axle)	法兰螺杆 (前轮轴)	M12*200*1.25		
D-2	308090032	9075167	4251814694152	Front Wheel Spacer, L	前轮左边隔套	$\phi 20*\phi 12.5*25$ mm		
D-3	308160002	9075171	4251814694220	Hex Socket Cap Bolt,Button Head	内六角半圆头螺丝	M6*16		
D-4	305030004	9071005	4251814682180	Brake Disc	碟刹盘	$\phi 180*2$ mm, 中心孔: $\phi 72$ mm		
D-5	308090063	9075168	4251814694169	Middle Spacer Of Front Wheel	前轮中间隔套	$\Phi 12.5*\Phi 16*54$		轮毂自带
D-6	304080039	9,0119E+10	4251814683149	Front Steel Wheel, Black, 12"	前轮毂·12寸	前轮·黑色辐条铁轮毂·1.4-12		
D-7	304090005	9120053	4251814680582	Front Wheel Inner Tube,12"	前轮内胎·12寸	前轮内胎·2.75-12 --(Junkai)		
D-8	304100005	9120052	4251814680575	Front Wheel Outer Tire,12"	前轮外胎·12寸	前轮外胎·2.75-12, 深齿花纹 --(Junkai)		
D-9	304290021	9075169	4251814694206	Front Wheel Bearing	前轮轴承	6301		轮毂自带
D-10	308090031	9075170	4251814694213	Front Wheel Spacer, R	前轮右边隔套	$\phi 20*\phi 12.5*23$ mm		
D-11	308350002	9075172	4251814694237	Self Lock Nut	自锁螺母	M12*1.25		

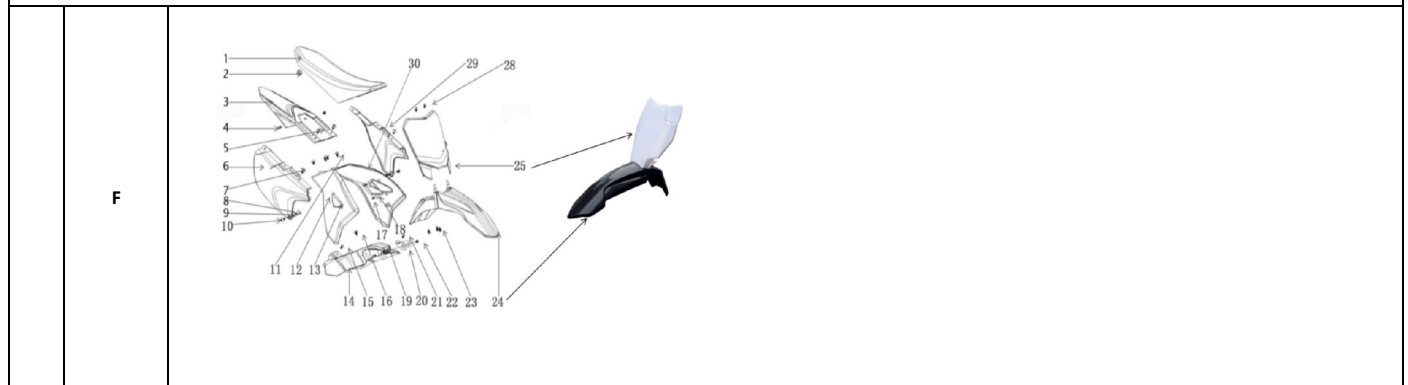
(E后轮) REAR WHEEL&TIRE ASSY.



序号	零部件编号 SKU	Menila Art.	EAN Code	英文名称 Spare part name in English	中文名称	规格 Specification	ORDER	Note
E-1	308020018	9075173	4251814694244	Flange Bolt (Rear Wheel Axle)	法兰螺杆 (后轮轴)	M12*180*1.25		

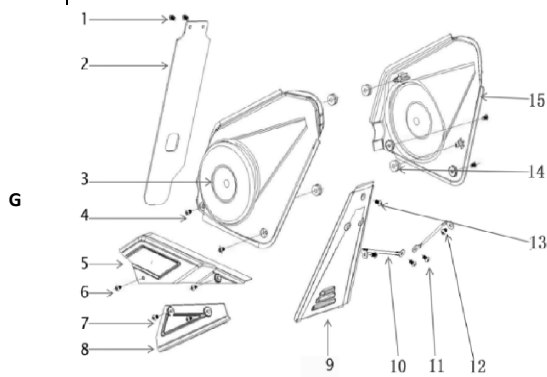
E-2	308190006	9075285	4251814663677	Hex Socket Cap Bolt	内六角螺丝	M6*12		
E-3	302140001	9075174	4251814694251	Rear Brake Caliper Holder	后碟刹器固定片			
E-4	305130009	9071013	4251814683842	Rear Brake Caliper, Mechanical	机械碟刹器, 后	正2-9款, 黑色		
	305120010	9071002	4251814681923	Rear Hydraulic brake assy.(complete with brake lever, pump, hose, caliper)	后液压碟刹总成(含刹把, 油泵, 油管, 碟刹卡钳), 无断申	L=1100mm, 下泵正2黑色, 不带刹车开关线		
E-5	308160002	9071002	4251814681923	Hex Socket Cap Bolt,Button Head	内六角半圆头螺丝	M6*16		
E-6	305030004	9071005	4251814682180	Brake Disc	碟刹盘	φ180*2mm, 中心孔: φ72mm		
E-7	308090029	9075175	4251814694268	Rear Wheel Spacer,L	后轮左隔套	φ20*φ12.5*17mm		
E-8	304080035	9,0119E+10	4251814683170	Rear Steel Wheel, Black,10"	后轮毂·10寸	后轮·黑色辐条铁轮毂·1.85-10		
E-9	304090014	9120051	4251814680568	Rear Wheel Inner Tube,10"	后轮内胎·10寸	后轮内胎·3.00-10--(Junkai)		
E-10	304100014	9120050	4251814680551	Rear Wheel Outer Tire,10"	后轮外胎·10寸	后轮外胎·3.00-10, 深齿花纹--(Junkai)		
E-11	308090064	9075179	4251814694336	Middle Spacer Of Rear Wheel	后轮中间隔套	Φ12*Φ16*72		轮毂自带
E-12	303040019	9072303	4251814682760	Chain 219H-116 Links	链条 219H-116节	型号219H-116节·2/10寸轮用		
E-13	304290021	9075169	4251814694206	Rear Wheel Bearing	后轮轴承	6301		轮毂自带
E-14	303020003	9075176	4251814694305	Driven Sprocket 219H-76T	后链轮	219H-76齿·内孔φ76mm, 电泳黑		
E-15	308020037	9075243	4251814660174	Flange Bolt	法兰螺丝	M8*16		
E-16	308090034	9075177	4251814694312	Rear Wheel Spacer,R	后轮右隔套	φ20*φ12.5*34mm		
E-17	308350002	9075172	4251814694237	Self Lock Nut	自锁螺母	M12*1.25		
E-18	308050005	9075228	4251814660027	Lock Nut	防松螺母	M6		
E-19	308010004	9075242	4251814660164	Spring Washer	弹垫	φ6		
E-20	303100003	9075178	4251814694329	Chain Adjuster	千斤	φ12*M6*45mm,		
E-21	308210004	9075244	4251814660188	Flat Washer	平垫	φ12*φ24*3		

(F车体塑料件-1) PLASTIC BODY KITS-1



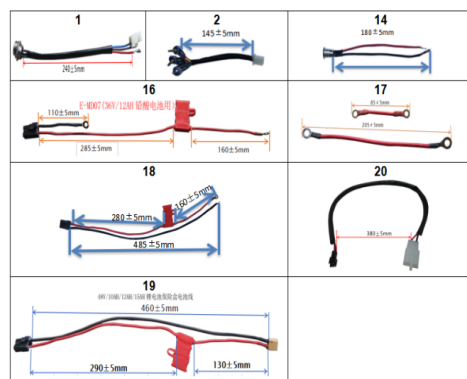
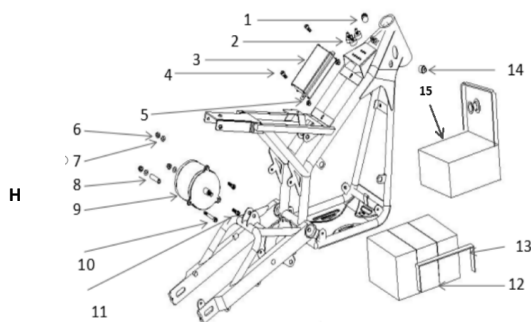
序号	零件编号 SKU	Menila Art.	EAN Code	英文名称 Spare part name in English	中文名称	规格 Specification	ORDER	Note
F-1	307680019	9079703	4251814686614	Seat, Black	座垫	普通皮, 黑色		
F-3	307220007	9,073E+10	4251814682036	Tail Plastic, Black	后尾板塑件	黑色		
F-6	307240001	9,073E+10	4251814682043	Rear Plastic Cover, R, Black	后右侧板塑件	黑色		
F-29	307260001	9,073E+10	4251814682050	Rear Plastic Cover, L, Black	后左侧板塑件	黑色		
F-12	307530007	9,073E+10	4251814682067	Front Plastic Cover, R, Black	前右侧板塑件	黑色		
F-13	307540001	9,073E+10	4251814682081	Decrotive Triangle Plastic, R	前右侧塑件三角板	黑色		
F-30	307570007	9,073E+10	4251814682074	Front Plastic Cover, L, Black	前左侧板塑件	黑色		
F-18	307580001	9,073E+10	4251814682098	Decrotive Triangle Plastic, L	前左侧塑件三角板	黑色		
F-14	307280003	9075194	4251814656846	False Fuel Tank	假油壶	专用		
F-19	307290001	9,073E+10	4251814694343	False Fuel Tank Cap	假油壶盖板	专用		
F-20	302370001	9075180	4251814656549	False Fuel Tank Cap Holder	假油壶盖板固定座	专用		
F-24	307510002	9,073E+10	4251814682104	Front Mudguard, Black	前挡泥板	黑色		
F-25	307150002	9,073E+10	4251814682111	Number Plate,White	号码牌	白色		
F-2	308050006	9075234	4251814660089	Lock Nut	防松螺母	M8		
F-4	308160001	9075218	4251814657836	Hex Socket Cap Bolt,Button Head	内六角半圆头螺丝	M6*12		
F-5	308260003	9075245	4251814660195	Philip's Head Screw,Flat head	十字扁头螺丝	M5*25		
F-7	308260003	9075245	4251814660195	Philip's Head Screw,Flat head	十字扁头螺丝	M5*25		
F-8	308050005	9075228	4251814660027	Lock Nut	防松螺母	M6		
F-9	308210009	9075247	4251814660218	Flat Washer	平垫	φ6*φ16*1.5		
F-10	308160002	9075171	4251814694220	Hex Socket Cap Bolt,Button Head	内六角半圆头螺丝	M6*16		
F-11	308260004	9075248	4251814660225	Philip's Head Screw,Flat head	十字扁头螺丝	M5*8		
F-15	308170004	9017008	4251846132790	Hex Socket Cap Bolt,Flat Head	内六角大扁头螺丝	M6*20		
F-16	308170002	9075218	4251814657836	Hex Socket Cap Bolt,Flat Head	内六角大扁头螺丝	M6*12		
F-17	308270002	9075250	4251814660249	Cross self-tapping screw, Flat Head	十字扁头自攻	M4*10		
F-21	308160001	9075218	4251814657836	Hex Socket Cap Bolt,Button Head	内六角半圆头螺丝	M6*12		
F-22	308190006	9075285	4251814663677	Hex Socket Cap Bolt	内六角螺丝	M6*12		
F-23	308170002	9075250	4251814660249	Hex Socket Cap Bolt,Flat Head	内六角大扁头螺丝	M6*12		
F-28	308170002	9075250	4251814660249	Hex Socket Cap Bolt,Flat Head	内六角大扁头螺丝	M6*12		

(G车体塑料件-2) PLASTIC BODY KITS-2



序号	零部件编号 SKU	Menila Art.	EAN Code	英文名称 Spare part name in English	中文名称	规格 Specification	ORDER	Note
G-2	307190001	9,073E+10	4251814656556	Rear Mud-guard	后挡泥胶皮	橡胶材质		
G-3	307630001	9,073E+10	4251814656563	Frame Cover, R	车架右侧护板	黑色		
G-15	307640001	9,073E+10	4251814656570	Frame Cover, L	车架左侧护板	黑色		
G-5	307450009	9,073E+10	4251814656587	Chain Cover, Upper	链罩上段·长	黑色		
G-8	307450011	9,073E+10	4251814656594	Chain Cover, Down	链罩下段·短	黑色		
G-9	307550001	9,073E+10	4251814656600	Frame Cover, FRONT	前中间护板	黑色		
G-10	302270002	9075181	4251814656617	Front Plastic Holder Bracket	前塑料件支架			
G-1	308170002	9075218	4251814657836	Hex Socket Cap Bolt, Flat Head	内六角大扁头螺丝	M6*12		
G-4	308200001	9075238	4251814660126	Hex Socket Cap Bolt, Flat Head	内六角小扁头螺丝	M6*8		
G-6	308200001	9075238	4251814660126	Hex Socket Cap Bolt, Flat Head	内六角小扁头螺丝	M6*8		
G-7	308200001	9075238	4251814660126	Hex Socket Cap Bolt, Flat Head	内六角小扁头螺丝	M6*8		
G-11	308160002	9075171	4251814694220	Hex Socket Cap Bolt, Button Head	内六角半圆头螺丝	M6*16		
G-12	308270003	9075241	4251814660157	Cross self-tapping screw, Flat Head	十字扁头自攻	M4*12		
G-13	308160001	9075218	4251814657836	Hex Socket Cap Bolt, Button Head	内六角半圆头螺丝	M6*12		
G-14	307390006			Rubber Plug	胶塞	电机侧板边塞·工字形		

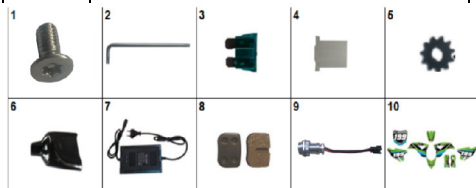
(H 电源和动力控制配件) BATTERY/MOTOR/CONTROLLER/WIRING



序号	零部件编号 SKU	Menila Art.	EAN Code	英文名称 Spare part name in English	中文名称	规格 Specification	ORDER	Note
H-1	306060004	9075183	4251814656631	36V Charger Port	充电口总成 (含插件和胶皮盖)	车架上·2.8插簧, 线长L=240mm		
H-2	306250003	9076017	4251814687031	3 Adjustable Function Wiring	3功能电位器总成	ED10, 3功能状态·L=140mm		
H-3	306340016	9070013	4251237171100	Controller 36V/1000W	36V有刷, 控制器	36V/1000W (900贴) /限流32A/3功能可测		1173072/1173073
	306340017	9070015	4251237171124	Controller 36V/1100W	36V有刷, 控制器	36V/1100W (1000贴) /限流35A/3功能可测		1173074/1173075
H-8	302060001	9075187	4251814656679	Spacer	电机隔套	φ8*φ14*18mm		
H-9	301010005	9079006	4251814681855	Brush Motor 36V1000W	有刷电机	36V/1000W(900贴), 219H-10齿·有刷		1173072/1173073
	301010004	9079007	4251814681862	Brush Motor 36V1100W	有刷电机	36V/1100W(1000贴), 219H-10齿·有刷		1173074/1173075
H-12		9078005	4251237150815	Polar Bär AGM Batterie 6-DZM-12				
H-13	307690001	9078011	4251814656723	36V Leadacid Battery / Lithium Battery Fastening Belt	电池绑带	L=180mm,36V铅酸/锂电池用		
H-14	306230003	9071601	4251814681930	Key Switch Assy	电门锁	两线·常开状态·打开不可拔		
H-15	306200006	9070086	4251684907963	36V10AH Lithium Battery, Box included	36V/10AH锂电池	锂电池36V/10AH, 5C,电池盒装		For 36V Lithium Battery only
	306200007	9070087	4251684907970	36V13AH Lithium Battery, Box included	36V/13AH锂电池	锂电池36V/13AH, 3C,电池盒装		For 36V Lithium Battery only
H-16	306030005	9076100	4255675414485	36V Leadacid Battery Fues Wiring	保险盒线 ED8Q-1	ED8Q-1, 12V/12AH电池专用状态·黑线L=110mm, 红线L=285mm+160mm		
H-18	306030010	9076101	4255675414492	36V Lithium Battery Fues Wiring	保险盒线 ED8L	ED8L, 36V锂电池用黑线·红线·485mm		For 36V Lithium Battery only
H-4	308190007	9075251	4251814660256	Hex Socket Cap Bolt	内六角螺丝	M6*16		
H-5	308040003	9075252	4251814660263	Antiskid Nut	防滑螺母	M6		

H-6	308050005	9075228	4251814660027	Lock Nut	防松螺母	M6		
H-7	308010004	9075253	4251814660270	Spring Washer	弹垫	φ6		
H-10	308190013	9075254	4251814660287	Hex Socket Cap Bolt	内六角螺丝	M6*80		
H-11	308190009	9075255	4251814660294	Hex Socket Cap Bolt	内六角螺丝	M6*25		

(I 其他) OTHERS



序号	零件编号 SKU	Menila Art.	EAN Code	英文名称 Spare part name in English	中文名称	规格 Specification	ORDER	Note
I-1	308020053	9077674	4255675410418	Torx-fixing Screw of Fuel Tank Cap	特殊梅花螺丝	MD07固定油壶盖 · M5*10		
I-2	308020048	9077675	4255675410425	T25 Wrench	梅花带孔扳手T25	梅花带孔扳手T25.		
I-3	306040003	9078017	4251814656778	Fuse 35A	保险片	35A		
I-4	306050002	9075190	4251814656808	Plug For Charge Port	插件	2.8三孔不带钩		
I-5	301020008	9072002	4251814681961	Drive Sprocket 219H-10T, D shape	电机小齿	电机小齿 · 219-10齿 · D型 · 有刷		
I-6	307620001	9075192	4251814656822	Wiring protective cover	线套护套			
I-7	306090010	9070051	4251684908342	36V 1.5A Lead Acid Charger	36V铅酸电池充电器			1173072
	306090014	9070052	4251684908359	36V charger for lithium battery	36V锂电充电器	36V1.8A 锂电充电器 · 欧标 · 利双		1173073/1173074/1173075
I-8	305390007	9071010	4251814682562	T-9 Mechanical Brake Pad	机械刹车T-9摩擦片 (拓蓝)	T-9刹车蹄块 · 套装 · 2片为1套		OPTION
	305390008	9071006	4251814682296	Hydraulic Brake Pad	液压刹车摩擦片	刹车蹄块 · 套装 · 2片为1套		OPTION
I-10	307600010	9,0739E+10	4251814657614	sticker-red		1173072		
		9,0739E+10	4251814657621	sticker-green		1173072		
		9,0739E+10	4251814657638	sticker-blue		1173072		
		9,0739E+10	4251814657645	sticker-yellow		1173072		
		9,0739E+10	4251814657652	sticker-orange		1173072		
		9,0739E+10	4251814657669	sticker-red		1173073		
		9,0739E+10	4251814657676	sticker-green		1173073		
		9,0739E+10	4251814657683	sticker-blue		1173073		
		9,0739E+10	4251814657690	sticker-orange		1173073		
		9,0739E+10	4251846196341	Sticker yellow		1173073		
		9,0739E+10	4251814657706	sticker-red		1173074		
		9,0739E+10	4251814657713	sticker-green		1173074		
		9,0739E+10	4251814657720	sticker-blue		1173074		
		9,0739E+10	4251814657737	sticker-yellow		1173074		
		9,0739E+10	4255675432496	sticker-orange		1173074		
		9,0739E+10	4251814657744	sticker-red		1173075		
9,0739E+10	4251814657751	sticker-green		1173075				
9,0739E+10	4251814657768	sticker-blue		1173075				
9,0739E+10	4251814657775	sticker-yellow		1173075				
9,0739E+10	4251814657782	sticker-orange		1173075				



www.nitromotors.de

Copyright © 2025 Nitromotors | All rights reserved. "Nitromotors" is a registered trademark of Menila Import. Druckfehler und Irrtümer vorbehalten. Menila Import | Hafnenbahnstr. 5 | 45881 Gelsenkirchen | E-Mail: parts@menilagroup.de