

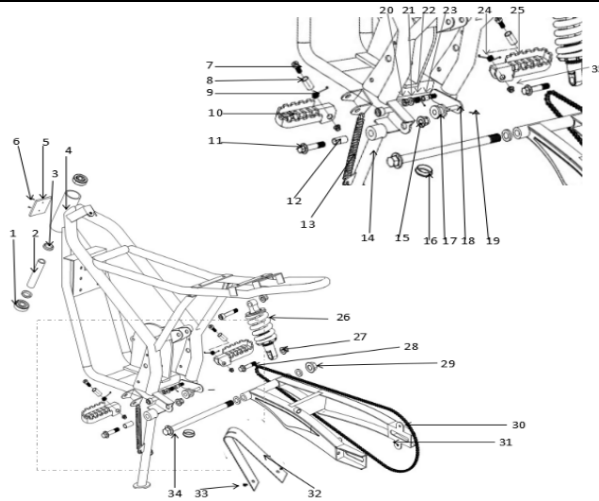
ART-NR. 1173053

**550W GAZELLE****E-DIRTBIKE**

www.nitromotors.de

**ERSATZTEILLISTE | SPARE PARTS LIST**

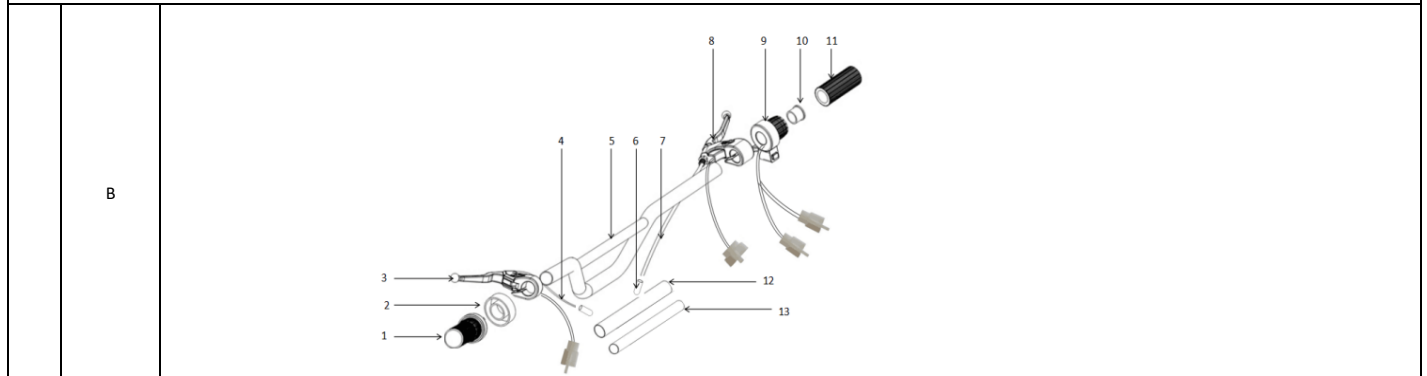
VERS. 1.0 | 08.08.2025

**(A) FRAME ASSY.**

No	Spare part no	Menila ET Art	MENILA EAN Code	Spare part name in Chinese	Spare part name in English	Specification	ORDER	Note
A-1	304290008	9075195	4251814656853	轴承	Steering Bearing 6200RS	6200RS, 龙头管轴承		
A-2	308090014	9075196	4251814656860	小越野通用龙头管隔套	Steering Spacer	Φ14*1.5*83mm		
A-3	308340003	9075197	4251814656877	橡胶居中垫	Steering Rubber Bush	Φ28*Φ14*5mm, 龙头管		
A-4	90797930505	4251846110170		车架 桔色	Frame,orange			
	90797930303	4251846110187		车架 红色	Frame red			
	90797930404	4251846110194		车架 绿色	Frame green			
	90797930202	4251846110200		车架 蓝色	Frame blue			
A-8	308090043	9076026	4251814691564	小越野脚踏隔套	Footrest Spacer	Φ8*0.8*24mm		
A-9	305190001	9076027	4251814691571	小越野脚踏扭簧左	Footrest Spring, L	Φ2*Φ14.5*12mm左新款		
A-10	302430008	9076038	4251814656884	小越野左脚踏	Footrest, L	小越野短脚踏		
A-24	305180001	9076028	4251814691588	小越野脚踏扭簧右	Footrest Spring, R	Φ2*Φ14.5*12mm右		
A-25	302430005	9076039	4251814656891	小越野右脚踏	Footrest, R	小越野短脚踏		
A-12	308090016	9076031	4251814691618	小越野脚踏隔套	Side Stand Spacer	Φ16*Φ10.2*20mm		
A-13	305170001	9076062	4251814669235	小越野脚踏拉簧	Side Stand Spring	Φ13.5XΦ1.8X80		
A-14	302190001	9076041	4251814656914	小越野脚踏	Side Stand	L=255mm, 小越野款		
A-16	307390003	9073033	4251814656921	胶塞	Rubber Plug	Φ25		
A-17	303130003	9076033	4251814691656	涨紧轮	Chain Tensioner	Φ19*Φ28*24mm, 小越野款		
	304290014	9076032	4251814691649	涨紧轮轴承 698Z	Chain Tensioner Bearing 698Z	698Z		
A-18	302440002	9076042	4251814656938	涨紧轮支架	Chain Tensioner Holder			
A-22	305370001	9076063	4251814669242	脚踏,涨紧轮弹簧	Chain Tensioner Spring	Φ1.8*Φ12.5*9mm左(老款)		
A-26	304020012	9077004	4251814681848	电动小越野后减震	Rear Shock	Φ8.5-145mm, 白色		
A-30	303040004	9072302	4251814682555	链条	Chain 25H-176 Links	25H-176节		
A-31	302330006	9078504	4251814656969	后叉	Rear Swing Arm, Black	哑光黑色		
A-32	303050002	9078506	4251814656983	后叉防擦片	Swin Arm Protection Rubber Belt	短款		
A-29	308350001	9075198	4251814656952	自锁螺母	Self-lock Nut	M10*1.25		
A-34	308020004	9077617	4251846110118	法兰螺栓(后叉螺杆)	Flange Bolt	M10*165*1.25		
A-6	308150001	9075226	4251814660003	铆钉	Rivet	Φ3.2*9		

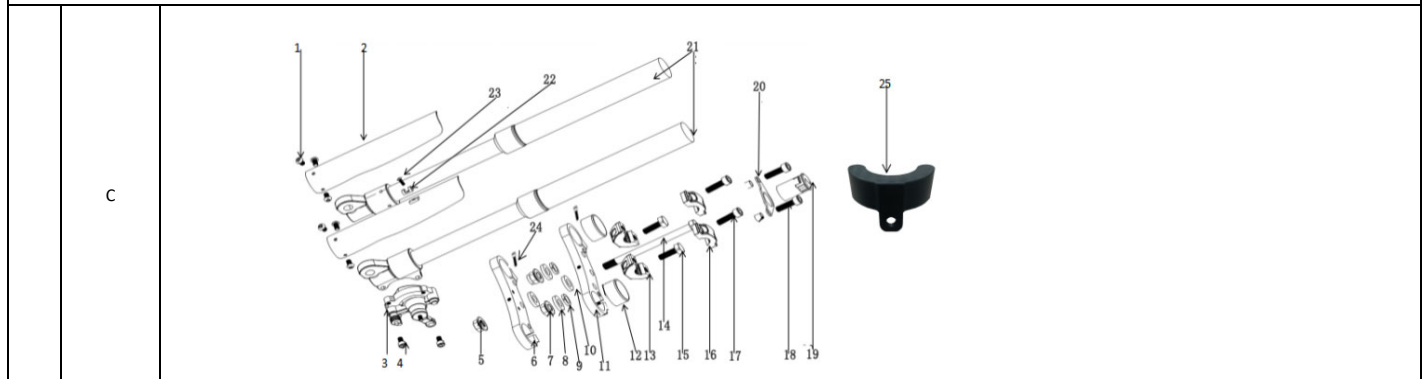
A-7	308190012	9075227	4251814660010	内六角螺丝	Hex Socket Cap Bolt	M6*40		
A-11	308320001	9075229	4251814660034	外六角螺丝	Hex Socket Cap Bolt	M10*35*1.5		
A-15	308050001	9075231	4251814660058	防松螺母	Lock Nut	M10*1.5		
A-19	308050005	9075228	4251814660027	防松螺母	Lock Nut	M6		
A-20	308050006	9075234	4251814660089	防松螺母	Lock Nut	M8		
A-21	308210010	9075361	4251814667040	平垫	Washer	φ8*φ16*1.5		
A-27	308050006	9075234	4251814660089	防松螺母	Lock Nut	M8		
A-28	308020042	9075297	4251814663837	法兰螺丝	Flange Bolt	M8*40		
A-33	308280004	9075298	4251814663844	十字沉头螺丝	ANSI cross slotted head screw	M6*12		

**(B) HANDLEBAR ASSY.**



No	Spare part no	Menila Et Art.	MENILA EAN Code	Spare part name in Chinese	Spare part name in English	Specification	ORDER	Note
B-1	305010006	9075199	4251814656990	把套	Left Rubber Grip	左, T231		
B-2	305020001	9075153	4251814691700	电动小越野把套 对称环	Left Rubber Grip Holder			
B-3	305340002	9071033	4251814663981	电动小四轮, 电动小越野左刹把	Rear (Left) Brake Lever	二指握距半铝刹把, 圆弧形手柄, 带刹车开关线		
B-4	305230003	9071008	4251814682333	刹车线	Rear Brake Cable	1100*1250mm		
B-5	302290002	90730600101	4251814663998	小四轮, 小越野手把管	Handlebar	L=565±5mm, 无横杆, 亚光黑色		
B-6	305240001	9075155	4251814691731	刹车线线帽	Brake Cable End Cap			
B-7	305230005	9071031	4251814663639	刹车线	Front Brake Cable	850*1000mm		
B-8	305330002	9071032	4251814663646	电动小越野右刹把	Front (Right) Brake Lever	二指握距半铝刹把, 圆弧形手柄, 带刹车开关线		
B-9	306500008	9077618	4251846110125	转把	Throttle Assy With Safety Switch ON/OFF	半截式, 小越野款, 带熄火开关, 无电量表		
B-10	306510001	9075236	4251814660102	转把中间活动节	Spacer	电动小越野		
B-11	305010004	9075201	4251814657034	把套	Right Rubber Grip	右, 半截式, T213		
B-12	307270002	9073063	4251814664025	小越野, 小四轮海绵管	Sponge	Φ14XΦ35X170		
B-13	307160002	90730640505	4251814664032	横布条 桔色	Sponge Cover orange	L=170mm		
B-13	307160002	90730640303	4251846134114	横布条 红色	Sponge Cover red	L=170mm		
B-13	307160002	90730640404	4251846134121	横布条 绿色	Sponge Cover green	L=170mm		
B-13	307160002	90730640202	4251846134138	横布条 蓝色	Sponge Cover blue	L=170mm		

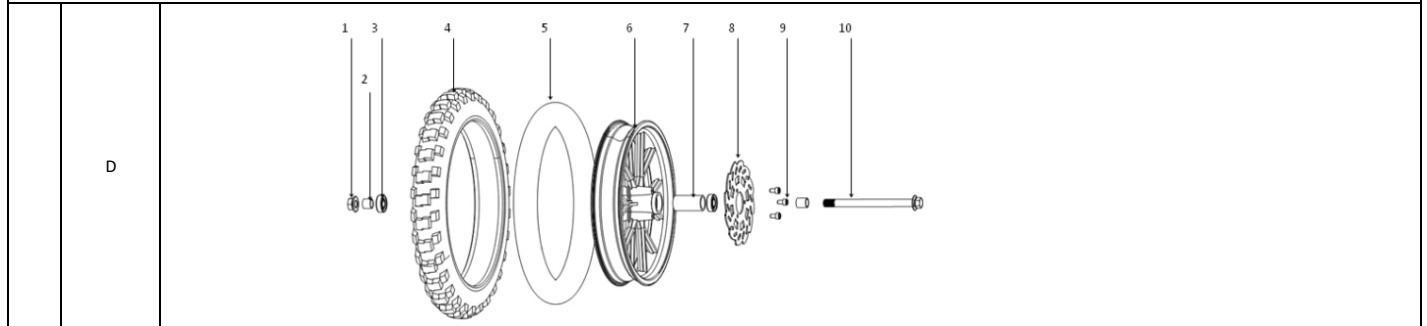
**(C) FORK ASSY.**



No	Spare part no	Menila Et Art.	MENILA EAN Code	Spare part name in Chinese	Spare part name in English	Specification	ORDER	Note
C-2	307500009	9073035	4251814657058	前叉护板左	Standard Front Fork Side Cover, L, White	小越野普通款, 白色		
C-2	307500003	9073036	4251814657065	前叉护板右	Standard Front Fork Side Cover, R, White	小越野普通款, 白色		
C-3	305130006	90710180303	4251814687604	机械碟刹器	Front Brake Caliper, RED	普通正2款, 红色		
C-6	305270005	9077611	4251846110057	下联板	Lower Splintage, BLACK	小越野款, 压铸铝连板, 黑色		
C-11	305250005	9077612	4251846110064	上联板	Upper Splintage, BLACK	小越野款, 压铸铝连板, 黑色		
C-12	304120001	9073039	4251814657171	前叉盖	Fork Cap	普通前叉用		
C-13	305280005	9075205	4251814657126	下锁扣	Handlebar Holder	小越野款, 银色		
C-16	305260005	9075206	4251814657133	上锁扣	Handlebar Upper Clamp	小越野款, 银色		
C-19	306230001	9071039	4251814664759	普通电门锁总成(含钥匙)	Key Switch Assy	两档四线		
C-20	302080003	9076006	4251814682432	小越野电门锁固定片	Key Switch Holder Plate	中心孔距: 61mm		
C-21	304170002	9077057	4251846110415	小越野前减震左	Standard Front Fork, L, Silver	普通款, L=525mm, 大头, 银色		
C-21	304160002	9077058	4251846110422	小越野前减震右	Standard Front Fork, R, Silver	普通款, L=525mm, 小头, 银色		
C-22	307210005	9070128	4251814682241	前刹车线线扣	Front Brake Cable Holder	小越野普通前叉护板配套		
C-25	307730002	9078549	4255675426839	转向护罩	Steering stop plate cover	小越野款联板用		
C-14	308020002	9075207	4251814657140	法兰螺丝	Flange Bolt (Steering Axle)	M10*145*1.25		
C-5	308350001	9075198	4251814656952	自锁螺母	Self-lock Nut	M10*1.25		

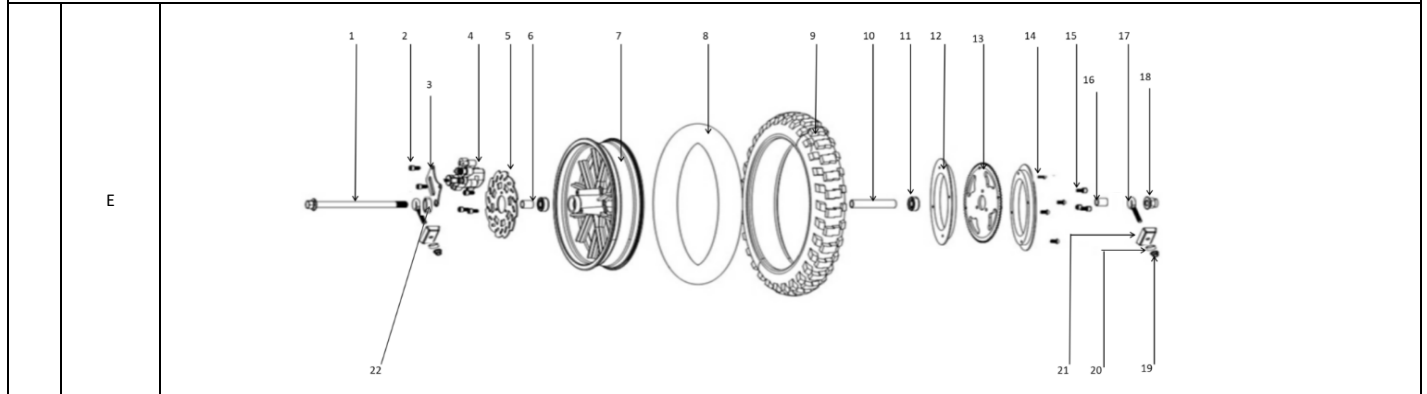
C-2	307500011	9073037	4251814657072	液压前叉护板,左	Hydraulic Front Fork Side Cover, L,white	小越野液压款, 白色		
	307500005	9073038	4251814657089	液压前叉护板, 右	Hydraulic Front Fork Side Cover, R,white	小越野液压款, 白色		
C-21	304170008	9077016	4251814657188	小越野液压前减震,左	Hydraulic Front Fork Side Cover, L	液压倒置,L=515mm,大头,黑色		
	304160008	9077017	4251814657195	小越野液压前减震,右	Hydraulic Front Fork Side Cover, R	液压倒置,L=515mm,小头,黑色		
C-22	307210004	9075165	4251814694138	前刹车线线扣	Front Brake Cable Holder	小越野液压,款前叉护板配套		
C-1	308260004	9075294	4251814663806	十字扁头螺丝	Cross screw, Flat Head	M5*8 液压前叉护板用		
C-23	308270003	9075241	4251814660157	十字扁头自攻	Cross self-tapping screw, Flat Head	M4*12 液压前叉护板用		
C-17	308190017	9076007	4251814682449	内六角螺丝	Hex Socket Cap Bolt	M8*25		
C-18	308190019	9076008	4251814682456	内六角螺丝	Hex Socket Cap Bolt	M8*35		
C-1	308280003	9075294	4251814663806	十字沉头螺丝	ANSI cross slotted head screw	M5*8 普通前叉护板用		
C-4	308190009	9075255	4251814660294	内六角螺丝	Hex Socket Cap Bolt	M6*25		
C-7	308050001	9075231	4251814660058	防松螺母	Lock Nut	M10*1.5		
C-8	308210001	9075230	4251814660041	平垫	Flat Washer	φ10*φ20*1.5		
C-9	308010001	9075242	4251814660164	弹垫	Spring Washer	φ10		
C-10	308210001	9075230	4251814660041	平垫	Flat Washer	φ10*φ20*1.5		
C-15	308320002	9077778	4255675426846	外六角螺丝	Hex Socket Cap Bolt	M10*40*1.5		
C-24	308190010	9075296	4251814663820	内六角螺丝	Hex Socket Cap Bolt	M6*30		
C-23	308290001	9075295	4251814663813	十字沉头自攻	ANSI cross slotted head screw	M4*10 普通前叉护板用		

(D) FRONT WHEEL ASSY.



No	Spare part no	Menila Et Art	MENILA EAN Code	Spare part name in Chinese	Spare part name in English	Specification	ORDER	Note
D-1	308350002	9075172	4251814694237	自锁螺母	Self-lock Nut	M12*1.25		
D-2	308090025	9075210	4251814657218	小越野前轮左边隔套	Front Wheel Side Spacer L	φ16*1.5*7mm		
	308090019	9075283	4251814663653	小越野前轮右边隔套	Front Wheel Side Spacer R	φ16*1.5*11mm		
D-3	304290002	9075211	4251814657225	轴承	Bearing 6001RS	6001RS		
D-4	304100013	9120016	4251814673072	外胎	Outer Tire 2.50-10" brand (shangdong)	小越野轮外胎, 2.50-10, 深齿花纹		
D-5	304090013	9120017	4251814673089	内胎	Inner Tube 10" brand (shangdong)	小越野轮内胎, 2.50-10		
D-6	304080004	90752140101	4251814657799	前轮毂	Front Wheel Hub	10寸, 小越野前铝轮毂, 黑色车亮边		
D-7	308090024	9075215	4251814657805	小越野前轮中间隔套	Front Wheel Hub Spacer	φ16*1.5*76mm		
D-8	305030003	9075216	4251814657812	小越野碟刹盘	Front Brake Disc	φ140*2mm, 中心孔: φ37mm		
D-9	308160001	9075218	4251814657836	内六角半圆头螺丝	Hex Socket Cap Bolt, Button Head	M6*12		
D-10	308020017	9075217	4251814657829	法兰螺丝	Front Wheel Axle: Flange Bolt	M12*16S*1.25		

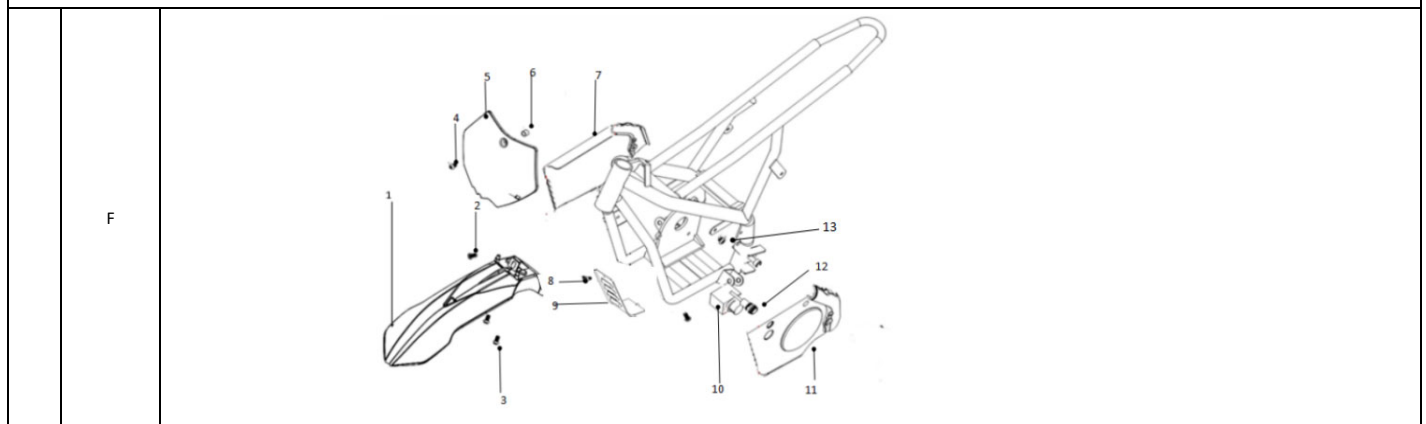
(E) REAR WHEEL ASSY.



No	Spare part no	Menila Et Art	MENILA EAN Code	Spare part name in Chinese	Spare part name in English	Specification	ORDER	Note
E-1	308020015	9075219	4251814657843	法兰螺丝	Flange Bolt ( Rear Wheel Axle )	M12*140*1.25		
E-18	308350002	9075172	4251814694237	自锁螺母	Self-lock Nut	M12*1.25		
E-2	308190006	9075285	4251814663677	内六角螺丝	Hex Socket Cap Bolt	M6*12		
E-3	302140004	9075220	4251814657850	小越野后碟刹器固定片	Rear Brake Caliper Holder	小越野款, 孔径φ12mm		
E-4	305130006	90710180303	4251814687604	机械碟刹器	Front Brake Caliper, RED	普通正2款, 红色		
E-5	305030003	9075216	4251814657812	小越野碟刹盘	Rear Brake Disc	φ140*2mm, 中心孔: φ37mm		
E-6	308090022	9075221	4251814657881	小越野后轮右边隔套	Rear Wheel Spacer, R	φ16*1.5*5mm		
E-10	308090026	9075189	4251814656792	小越野后轮中间隔套	Middle Spacer Of Rear Wheel	φ16*1.5*81mm		
E-16	308090025	9075210	4251814657218	小越野后轮左边隔套	Rear Wheel Spacer, L	φ16*1.5*7mm		
E-7	304080002	90751840101	4251814656648	后轮毂	Rear Wheel Hub	10寸,小越野后铝轮毂,黑色车亮边		
E-8	304090013	9120017	4251814673089	内胎	Inner Tube 10" brand (shangdong)	小越野轮内胎, 2.50-10		
E-9	304100013	9120016	4251814673072	外胎	Outer Tire 2.50-10" brand (shangdong)	小越野轮外胎,2.50-10,深齿花纹		
E-11	304290002	9075211	4251814657225	轴承	Bearing 6001RS	6001RS		
E-12	307440001	9073040	4251814657867	链轮护罩,套装	Driven Sprocket Cover	左右为一套		
E-13	303020007	9072007	4251814657874	链轮	Driven Sprocket 25H-80T	25H-80齿, 内孔φ35mm,电泳黑		
E-14	308280002	9075286	4251814663684	十字沉头螺丝	ANSI cross slotted head screw	M5*16		

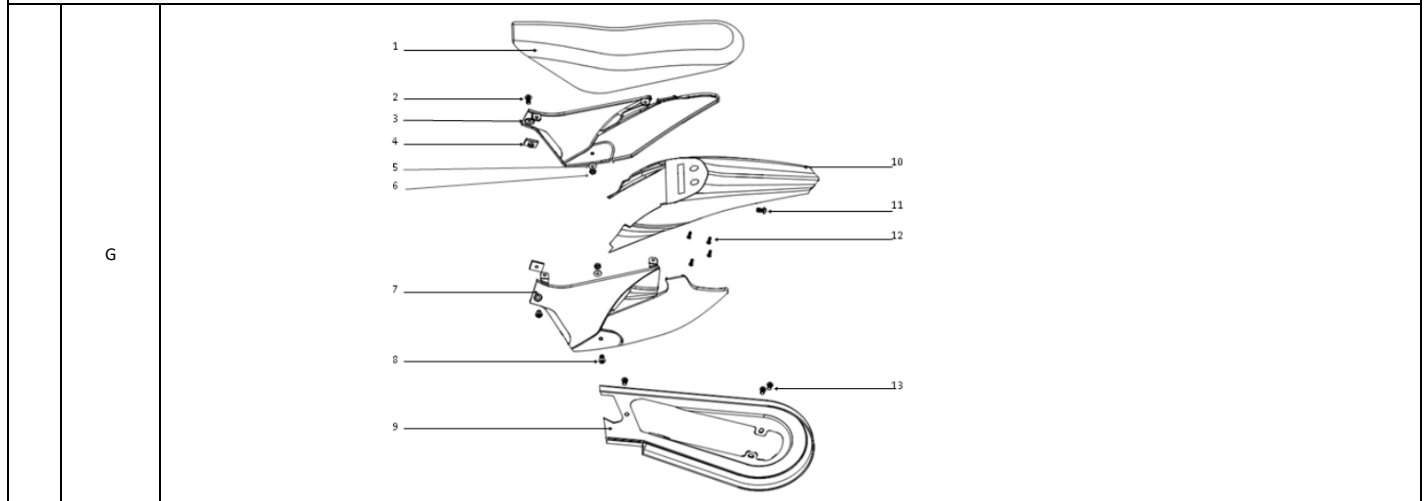
E-15	308160001	9075285	4251814663677	内六角半圆头螺丝	Hex Socket Cap Bolt,Button Head	M6*12		
E-17	303100004	9075222	4251814657898	千斤	Chain Adjuster	φ12*M6*60mm		
E-19	308050005	9075228	4251814660027	防松螺母	Lock Nut	M6		
E-20	308010004	9075253	4251814660270	弹垫	Spring Washer	φ6		
E-21	303110002	9075284	4251814663660	小越野千斤盖	Chain Adjuster Cover	小越野款		
E-22	308210003	9077779	4255675426853	平垫	Flat Washer	φ12*φ24*1.5		

(F) PLASTIC BODY ASSY-1



No	Spare part no	Menila ET Art	MENILA EAN Code	Spare part name in Chinese	Spare part name in English	Specification	ORDER	Note
F-1	307510019	9073051	4251814658000	前挡泥板	Front Mudguard, White	白色		
F-5	307150003	9073052	4251814658024	号码牌	Number Plate,White	白色		
F-7	307120002	9073100	4251814637647	电机右侧板	Motor Cover, R			
F-11	307120005	9073101	4251814637654	电机左侧板	Motor Cover, L			
F-9	307120003	9073050	4251814657997	电机中间护板	Motor Cover, Bottom			
F-12	306060004	9075183	4251814656631	电动小越野, 电动小四轮充电口	Charger Port Assy.	车架上, 2.8插簧, 线长L=240mm		
F-10	306470001	9071604	4251814658017	钥匙式三档开关(含钥匙)	3-Speed Key Switch Assy.			
F-2	308170002	9075289	4251814663721	内六角大扁头螺丝	Hex Socket Cap Bolt, Flat Head	M6X12		
F-3	308170003	9075249	4251814660232	内六角大扁头螺丝	Hex Socket Cap Bolt, Flat Head	M6X16		
F-4	308190009	9075255	4251814660294	内六角螺丝	Hex Socket Cap Bolt	M6X25		
F-8	308170003	9075249	4251814660232	内六角大扁头螺丝	Hex Socket Cap Bolt, Flat Head	M6X16		
F-13	307390006	9073107	4251814637760	胶塞	Rubber Washer	电机侧板边塞,工字形		

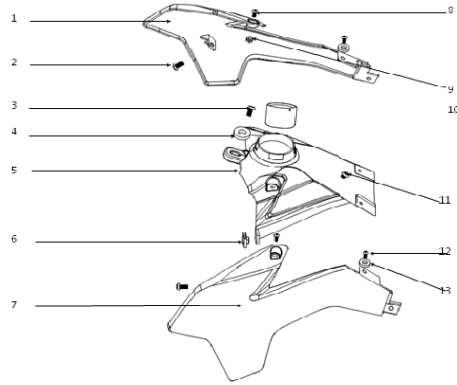
(G) PLASTIC BODY ASSY-2



No	Spare part no	Menila ET Art	MENILA EAN Code	Spare part name in Chinese	Spare part name in English	Specification	ORDER	Note
G-1	307680031	9079734	4251846110392	座垫	Seat, Black	黑色		
G-3	307240004	9073232	4251846110293	后右侧板塑件	Rear Side Plastic, R, white	白色		
G-7	307260004	9073233	4251846110309	后左侧板塑件	Rear Side Plastic, L, white	白色		
G-9	307450008	9072404	4251814658048	链罩	Chain Cover	电动小越野款		
G-10	307220003	9073234	4251846110316	后尾板塑件	Tail Plastic, white	白色		
G-2	308160001	9075218	4251814657836	内六角半圆头螺丝	Hex Socket Cap Bolt, Button Head	M6*12		
G-4	308040003	9075252	4251814660263	防滑螺母	Antiskid Nut	M6		
G-5	308210009	9075247	4251814660218	平垫	Flat Washer	φ6*φ16*1.5		
G-6	308050005	9075228	4251814660027	防松螺母	Lock Nut	M6		
G-8	308160002	9075171	4251814694220	内六角半圆头螺丝	Hex Socket Cap Bolt, Button Head	M6*16		
G-11	308170004	9076227	4251846110408	内六角大扁头螺丝	Hex Socket Cap Bolt, Flat Head	M6*20		
G-12	308270003	9075241	4251814660157	十字扁头自攻	Cross self-tapping screw, Flat Head	M4*12		
G-13	308200001	9075238	4251814660126	内六角小扁头螺丝	Hex Socket Cap Bolt, Flat Head	M6*8		

**(H) FUEL TANK**

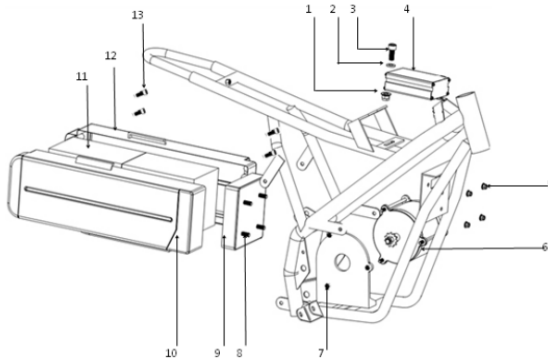
H



No	Spare part no	Menila ET Art	MENILA EAN Code	Spare part name in Chinese	Spare part name in English	Specification	ORDER	Note
H-1	307530011	9073229	4251846110262	前右侧板塑料件	Front Plastic Cover, R, white	白色		
H-5	307280002	9073231	4251846110286	假油壶	Tank Cover			
H-7	307570011	9073230	4251846110279	前左侧板塑料件	Front Side Plastic, L,white	白色		
H-10	306130001	9077625	4251846110378	24V铅酸电量表	Electricity Volume Meter 24V	24V铅酸, 不带壳		
H-2	308160002	9075171	4251814694220	内六角半圆头螺丝	Hex Socket Cap Bolt, Button Head	M6*16		
H-3	308170005	9077621	4251846110330	内六角大扁头螺丝	Hex Socket Cap Bolt, Flat Head	M6*25		
H-4	308100002	9077622	4251846110347	大胶垫	Rubber Washer	φ8*φ28*3		
H-6	308140001	9077623	4251846110354	螺母夹	Nut Clamp	M6		
H-8	308160002	9075171	4251814694220	内六角半圆头螺丝	Hex Socket Cap Bolt, Button Head	M6*16		
H-9	308040003	9075252	4251814660263	防滑螺母	Antiskid Nut	M6		
H-11	308170003	9075249	4251814660232	内六角大扁头螺丝	Hex Socket Cap Bolt, Flat Head	M6*16		
H-12	308170005	9077621	4251846110330	内六角大扁头螺丝	Hex Socket Cap Bolt, Flat Head	M6*25		
H-13	308100002	9077622	4251846110347	大胶垫	Rubber Washer	φ8*φ28*3		

**(I) ELECTRONIC PARTS**

I



No	Spare part no	Menila ET Art	MENILA EAN Code	Spare part name in Chinese	Spare part name in English	Specification	ORDER	Note
I-4	306340004	9070011	4251237171087	电动小越野, 控制器	Controller 550W/24V	锐芯,24V/550W, 限流25±1A		
I-6	301010011	9079002	4251814681800	有刷电机	Motor 550W/24V	小越野24V/550W, 25H-11齿,有刷		
I-9	307320001	9078018	4251814658055	电池盒底座	Battery Box Seat	小越野电池盒底座		
I-12	307310001	9078019	4251814658062	电池盒	Battery Box Assy.	小越野电池盒, 含上下盖和提手		
I-10								
I-11		9078005	4251237150815		Polar Bär AGM Batterie 6-DZM-12			
I-1	308050004	9075290	4251814663738	防松螺母	Lock Nut	M5		
I-2	308210009	9075247	4251814660218	平垫	Flat Washer	φ6*φ16*1.5		
I-3	308190004	9075291	4251814663745	内六角螺丝	Hex Socket Cap Bolt	M5*16		
I-5	308050004	9075290	4251814663738	防松螺母	Lock Nut	M5		
I-7	308050004	9075290	4251814663738	防松螺母	Lock Nut	M5		
I-8	308280001	9075292	4251814663752	十字沉头螺丝	ANSI cross slotted head screw	M5*12		
I-13	308300003	9075293	4251814663769	十字半圆自攻	Cross self-tapping screw, Button Head	M4*20		

(J) WIRINGS								
No	Spare part no	Menila ET Art.	MENILA EAN Code	Spare part name in Chinese	Spare part name in English	Specification	ORDER	Note
J-1	306060003	9078021	4251814658086	电动小越野电池盒充电口总成 (含线/插件和胶盖)	Battery Box Charger Port EDQA15	EDQA15, 电池盒上, 2.8插片, L=80±5mm		
J-2	306520003	9078022	4251814658093	电池连接线	Battery Connect Wiring ED4	ED4, L=295mm		Not available for Li-battery
J-3	306210003	9071627	4251814665107	电池盒电源连接线	Power Supply wiring EQ7G	EQ7G, L=250mm		
J-4	306080001	9078036	4251814663790	充电口延长线	Charger Port Wiring ED3	ED3, 小越野铅酸电池盒内使用		
J-5	306030002	9078015	4251814656754	保险盒线	Fuse box & Power supply wiring ED12X	ED12X, 24V铅酸用, 红线L=375mm, 黑线L=120mm		
J-6	306480003	9077620	4251846110149	钥匙式三档开关连接线	3-speed wiring ED6	ED6, L=380mm (充电口连接线L=290mm)		
J-7	306460001	9071623	4251814665060	钥匙三档开关连接小线	3-speed wiring ED10X	EQ10X, L=80±2mm		
J-8	307620001	9075192	4251814656822	线束护套	Rubber Sleeve	φ70*110mm		
J-9	307690001	9078011	4251814656723	电池盒绑带	Battery Box Belt	L=180mm		
J-10	306090007	9070054	4251684908373	24V铅酸充电器	Lead Acid Battery Charger 24V1.5A	24V/1.5A, 欧标, 利双		
J-11	306040001	9078024	4251814658116	保险片	Fuse	25A		

(K) OTHERS								
No	Spare part no	Menila ET Art.	MENILA EAN Code	Spare part name in Chinese	Spare part name in English	Specification	ORDER	Note
K-1	307600004	90739290505	4251846110217	贴花 橘	Sticker set orange			
K-1	307600004	90739290303	4251846110224	贴花 红	sticker set red			
K-1	307600004	90739290404	4251846110231	贴花 绿	sticker set green			
K-1	307600004	90739290202	4251846110248	贴花 蓝	Sticker set blue			
K-2	303040022	9076044	4251814657232	链条扣	25H Chain Connector	高速25H型		
K-3	305390003	9071012	4251814683774	银华正反碟刹器摩擦片	Brake Pad (2pcs/set)	套装 (两片为1套)		
K-4	301020006	9072011	4251814667453	电机齿轮	Motor Sprocket 25H-11T	25H-11齿, 向阳,D型		

### ALTERNATIVE PARTS FOR E-MD05 WITH LITHIUM BATTERY

No	Spare part no	Menila ET Art.	MENILA EAN Code	Spare part name in Chinese	Spare part name in English	Specification	ORDER	Note
H-10	306130002	9075387	4251814667385	36V锂电电量表	Electricity Volume Meter 36V	36V锂电, 不带壳		
I-4	306340007	9070007	4251237171049	电动小越野, 控制器	Controller 550W/36V	锐芯, 36V/550W, 限流20±1A		
I-6	301010012	9079003	4251814681817	有刷电机	Motor 550W/36V	小越野36V/550W, 25H-11齿, 有刷		
I-11	306200011	9070125	4251814681749	锂电池	36V10AH Lithium Battery Assy.(including battery box)	锂电池36V/10AH, 小越野电池盒装		
J-5	306030001	9078023	4251814658109	保险盒线	Fuse box & Power supply wiring ED12L	ED12L, 36V锂电用, 线长L=120mm, 插件XT60		
J-10	306090014	9070052	4251684908359	36V锂电充电器	Lithium battery Charger 36V1.8A	36V/1.8A, 欧标, 利双		



www.nitromotors.de