

ART-NR. 1173043

**550W GEPARD**

**E-DIRTBIKE**



www.nitromotors.de

# ERSATZTEILLISTE | SPARE PARTS LIST

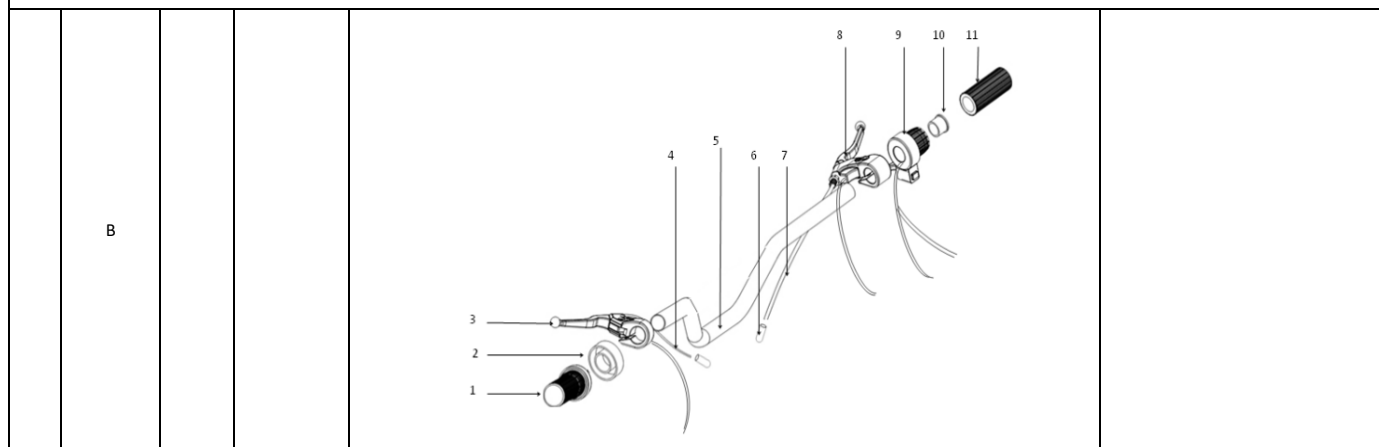
VERS. 1.0 | 07.08.2025

(A车架) FRAME ASSY.

序号	零件编号 SKI	Menila Art	EAN code	中文名称	英文名称 Spare part name in English	规格 Specification	ORDER	Note
A-1	304290008	9075195	4251814656853	轴承	Steering Bearing 6200RS	6200RS, 龙头管轴承		
A-2	308090014	9075196	4251814656860	小越野通用龙头管隔套	Steering Spacer	φ14*1.5*83mm		
A-3	308340003	9075197	4251814656877	橡胶隔中垫	Steering Rubber Bush	φ28*φ14*5mm, 龙头管		
A-4	302030064	9079600	4251814682463	车架	Frame, BLACK	哑光黑色		
A-8	308090043	9076026	4251814691564	小越野脚踏隔套	Footrest Spacer	φ8*0.8*24mm		
A-9	305190001	9076027	4251814691571	小越野脚踏扭簧左	Footrest Spring, L	φ2*φ14.5*12mm左新款		
A-10	302430008	9076038	4251814656884	小越野脚踏扭簧左	Footrest, L	小越野短脚踏		
A-24	305180001	9076028	4251814691588	小越野脚踏扭簧右	Footrest Spring, R	φ2*φ14.5*12mm右		
A-25	302430005	9076039	4251814656891	小越野右脚踏	Footrest, R	小越野短脚踏		
A-12	308090016	9076031	4251814691618	小越野脚踏隔套	Side Stand Spacer	φ16*φ10.2*20mm		
A-13	305170001	9076062	4251814669235	小越野脚踏拉簧	Side Stand Spring	φ13.5Xφ1.8X80		
A-14	302190001	9076041	4251814656914	小越野脚踏	Side Stand	L=255mm, 小越野款		
A-16	307390003	9073033	4251814656921	胶塞	Rubber Plug	φ25		
A-17	303130003	9076033	4251814691656	涨紧轮	Chain Tensioner	φ19*φ28*24mm, 小越野款		
	304290014	9076032	4251814691649	涨紧轮轴承 698Z	Chain Tensioner Bearing 698Z	698Z		
A-18	302440002	9076042	4251814656938	涨紧轮支架	Chain Tensioner Holder			
A-22	305370001	9076063	4251814669242	脚踏涨紧轮弹簧	Chain Tensioner Spring	φ1.8*φ12.5*9mm左 (老款)		
A-26	304020012	9077004	4251814681848	电动小越野后减震	Rear Shock	φ8.5-145mm, 白色		
A-30	303040004	9072302	4251814682555	链条	Chain 25H-176 Links	25H-176节 · E-MD05, E-MD04		
A-31	302330006	9078504	4251814656969	后叉	Rear Swing Arm, Black	哑光黑色		
A-32	303050002	9078506	4251814656983	后叉防擦片	Swin Arm Protection Rubber Belt	短款		
A-29	308350001	9075198	4251814656952	自锁螺母	Self-lock Nut	M10*1.25		
A-34	308020006	9078512	4251814663622	法兰螺栓 (后叉螺杆)	Flange Bolt	M10*180*1.25		
A-5	302230001			铝牌	CE Plate	安装孔距: 56mm		
A-6	308150001	9075226	4251814660003	铆钉	Rivet	φ3.2*9		
A-7	308190012	9075227	4251814660010	内六角螺丝	Hex Socket Cap Bolt	M6*40		
A-11	308320001	9075229	4251814660034	外六角螺丝	Hex Socket Cap Bolt	M10*35*1.5		
A-15	308050001	9075231	4251814660058	防松螺母	Lock Nut	M10*1.5		

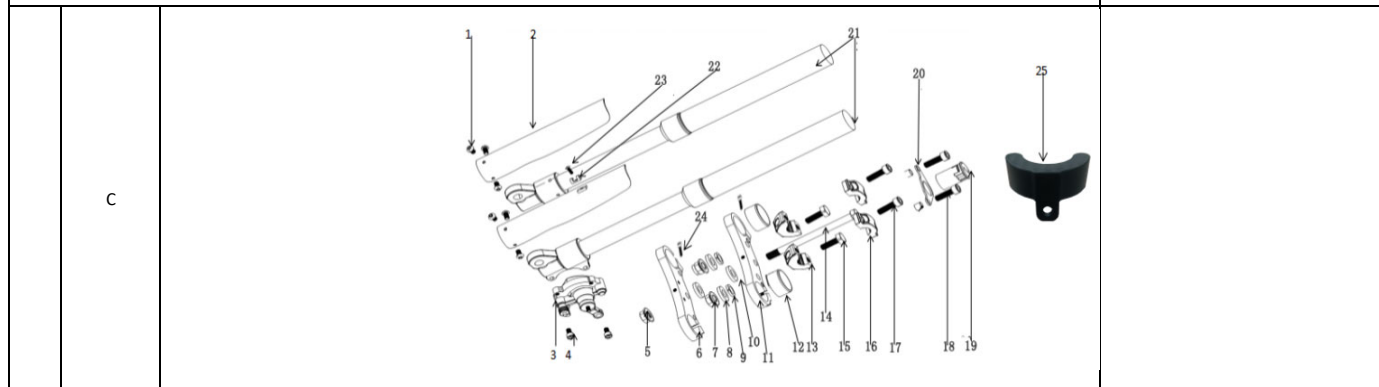
A-19	308050005	9075252	4251814660263	防松螺母	Lock Nut	M6		
A-20	308050006	9075234	4251814660089	防松螺母	Lock Nut	M8		
A-21	308210010	9075235	4251814660096	平垫	Washer	φ8*φ16*1.5		
A-27	308050006	9075234	4251814660089	防松螺母	Lock Nut	M8		
A-28	308020042	9075297	4251814663837	法兰螺丝	Flange Bolt	M8*40		
A-33	308280004	9075298	4251814663844	十字沉头螺丝	ANSI cross slotted head screw	M6*12		

**(B手把部分) HANDLEBAR ASSY.**



序号	零部件编号 SKU	Menila Art.	EAN Code	中文名称	英文名称 Spare part name in English	规格 Specification	ORDER	Note
B-1	305010006	9075199	4251814656990	把套	Left Rubber Grip	左, T231		
B-2	305020001	9075153	4251814691700	电动小越野把套 对称环	Left Rubber Grip Holder			
B-3	305340002	9071033	4251814663981	电动小四轮·电动小越野左刹把	Rear (Left) Brake Lever	二指握距半铝刹把·圆弧形手柄·带刹车开关线		
B-4	305230003	9071008	4251814682333	刹车线	Rear Brake Cable	1100*1250mm		
B-5	302290003	9073034	4251814657027	手把管	Handlebar	L=560±5mm, 无横杆, 亚光黑色		
B-6	305240001	9075155	4251814691731	刹车线线帽	Brake Cable End Cap			
B-7	305230005	9071149	4255675426808	刹车线	Front Brake Cable	850*1000mm		
B-8	305330002	9071032	4251814663646	电动小越野右刹把	Front (Right) Brake Lever	二指握距半铝刹把·圆弧形手柄·带刹车开关线		
B-9	306500005	9072603	4251814682470	转把中间活动节	Throttle Assy With 24V Electric Volume Meter (Lead Acid)	半截式, 小越野款, 24V铅酸电量表, 熄火开关		
B-10	306510001	9075236	4251814660102	转把中间活动节	Spacer	电动小越野		
B-11	305010004	9075201	4251814657034	把套	Right Rubber Grip	右, 半截式, T213		

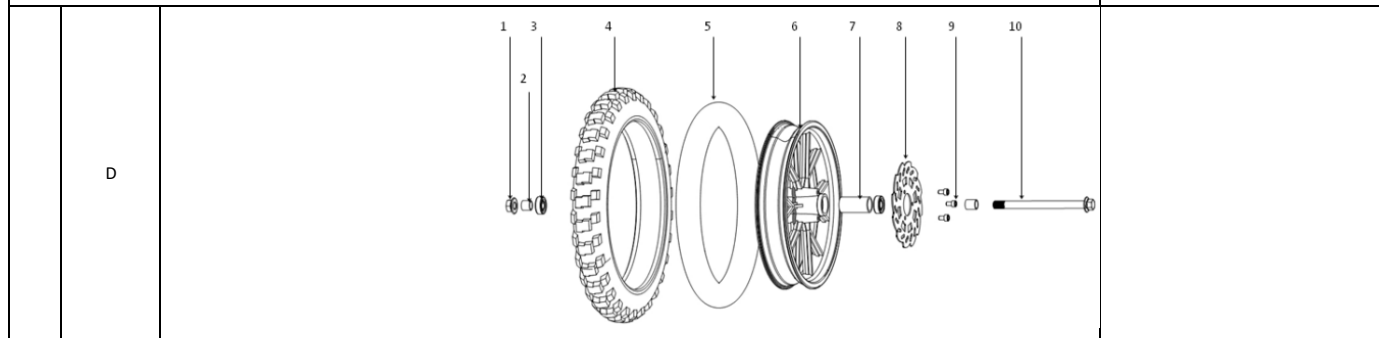
**(C前叉) FORK ASSY.**



序号	零部件编号 SKU	Menila Art.	EAN Code	中文名称	英文名称 Spare part name in English	规格 Specification	ORDER	Note
C-2	307500009	9073035	4251814657058	前叉护板左	Standard Front Fork Side Cover, L, White	小越野普通款, 白色		
	307500003	9073036	4251814657065	前叉护板右	Standard Front Fork Side Cover, R, White	小越野普通款, 白色		
C-3	305130006	9071018030	4251814687604	机械碟刹器	Front Brake Caliper, RED	普通正2款, 红色		
C-6	305270006	9075203	4251814657102	下联板	Lower Splintage, SILVER	小越野款, 压铸铝连板·银色		
C-11	305250006	9075204	4251814657119	上联板	Upper Splintage, SILVER	小越野款, 压铸铝连板·银色		
C-12	304120001	9073039	4251814657171	前叉盖	Fork Cap	普通前叉用		
C-13	305280005	9075205	4251814657126	下锁扣	Handlebar Holder	小越野款, 银色		
C-16	305260005	9075206	4251814657133	上锁扣	Handlebar Upper Clamp	小越野款, 银色		
C-19	306230001	9071602	4251814681947	普通电门锁总成(含钥匙)	Key Switch Assy	两档四线		
C-20	302080003	9076006	4251814682432	小越野电门锁固定片	Key Switch Holder Plate	中心孔距: 61mm		
C-21	304170001	9077005	4251814681909	小越野前减震,左	Standard Front Fork, L, Black	普通款, L=525mm, 大头·黑色		
	304160001	9077006	4251814681916	小越野前减震,右	Standard Front Fork, R, Black	普通款, L=525mm, 小头·黑色		
C-22	307210005	9070128	4251814682241	前刹车线线扣	Front Brake Cable Holder	小越野普通前叉护板配套		
C-25	307730002	9078549	4255675426839	转向护罩	Steering stop plate cover	小越野款联板用		
C-14	308020002	9075207	4251814657140	法兰螺丝	Flange Bolt (Steering Axle)	M10*145*1.25		
C-5	308350001	9075198	4251814656952	自锁螺母	Self-lock Nut	M10*1.25		
C-2	307500011	9078547	4255675426815	液压前叉护板,左	Hydraulic Front Fork Side Cover, L,white	小越野液压款·白色		OPTION for hydraulic fork only
	307500005	9078548	4255675426822	液压前叉护板,右	Hydraulic Front Fork Side Cover, R,white	小越野液压款·白色		OPTION for hydraulic fork only
C-21	304170008	9077016	4251814657188	小越野液压前减震,左	Hydraulic Front Fork Side L	液压倒置·L=515mm, 大头·黑色		OPTION for hydraulic fork only

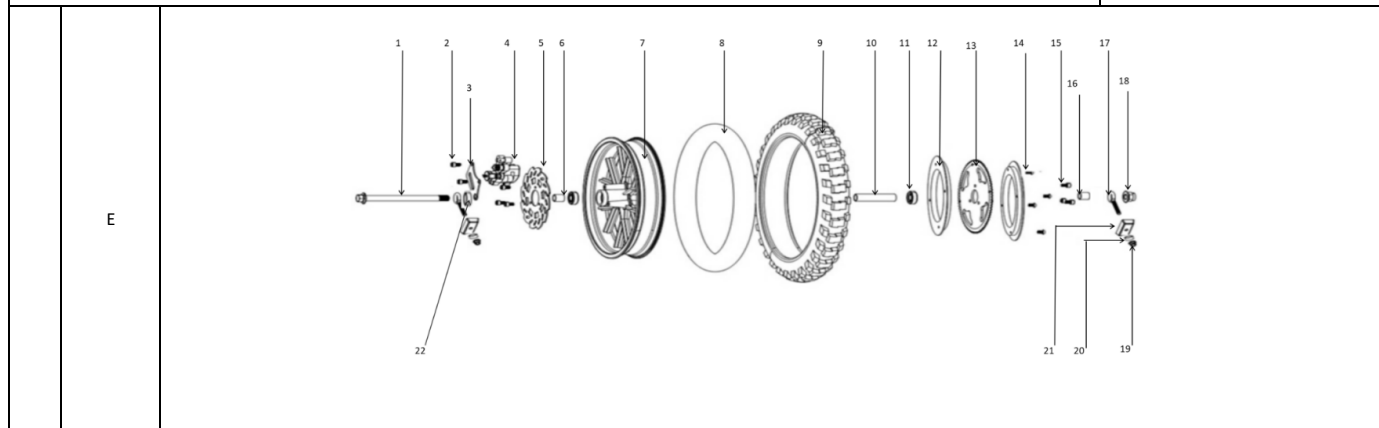
	304160008	9077017	4251814657195	小越野液压前减震,右	Hydraulic Front Fork Side R	液压倒置·L=515mm, 小头·黑色		OPTION for hydraulic fork only
C-22	307210004	9075165	4251814694138	前刹车线线扣	Front Brake Cable Holder	小越野液压·MD07, 款前叉护板配套		OPTION for hydraulic fork only
C-1	308260004	9075248	4251814660225	十字扁头螺丝	Cross screw, Flat Head	M5*8 液压前叉护板用		OPTION for hydraulic fork only
C-23	308270003	9075241	4251814660157	十字扁头自攻	Cross self-tapping screw, Flat Head	M4*12 液压前叉护板用		OPTION for hydraulic fork only
C-17	308190017	9076007	4251814682449	内六角螺丝	Hex Socket Cap Bolt	M8*25		
C-18	308190019	9076008	4251814682456	内六角螺丝	Hex Socket Cap Bolt	M8*35		
C-1	308280003	9075294	4251814663806	十字沉头螺丝	ANSI cross slotted head screw	M5*8 普通前叉护板用		
C-4	308190009	9075255	4251814660294	内六角螺丝	Hex Socket Cap Bolt	M6*25		
C-7	308050001	9075231	4251814660058	防松螺母	Lock Nut	M10*1.5		
C-8	308210001	9075230	4251814660041	平垫	Flat Washer	φ10*φ20*1.5		
C-9	308010001	9075242	4251814660164	弹垫	Spring Washer	φ10		
C-10	308210001	9075230	4251814660041	平垫	Flat Washer	φ10*φ20*1.5		
C-15	308320002	9077778	4255675426846	外六角螺丝	Hex Socket Cap Bolt	M10*40*1.5		
C-24	308190010	9075296	4251814663820	内六角螺丝	Hex Socket Cap Bolt	M6*30		
C-23	308290001	9075295	4251814663813	十字沉头自攻	ANSI cross slotted head screw	M4*10 普通前叉护板用		

**小越野 (D前轮) FRONT WHEEL ASSY.**



序号	零部件编号 SKU	Menila Art.	EAN Code	中文名称	英文名称 Spare part name in English	规格 Specification	ORDER	Note
D-1	308350002	9075172	4251814694237	自锁螺母	Self-lock Nut	M12*1.25		
D-2	308090025	9075210	4251814657218	小越野前轮左边隔套	Front Wheel Side Spacer L	φ16*1.5*7mm		
	308090019	9075283	4251814663653	小越野前轮右边隔套	Front Wheel Side Spacer R	φ16*1.5*11mm		
D-3	304290002	9075211	4251814657225	轴承	Bearing 6001RS	6001RS		
D-4	304100013	9120054	4251814680599	外胎	Outer Tire 2.50-10"---Junkai	小越野轮外胎·2.50-10, 深齿花纹		
D-5	304090013	9120055	4251814673072	内胎	Inner Tube 10"---Junkai	小越野轮内胎·2.50-10		
D-6	304080004	9075214	4251814657799	前轮毂	Front Wheel Hub	10寸, 小越野前铝轮毂·黑色车壳边		
D-7	308090024	9075215	4251814657805	小越野前轮中间隔套	Front Wheel Hub Spacer	φ16*1.5*76mm		
D-8	305030003	9075216	4251814657812	小越野碟刹盘	Front Brake Disc	φ140*2mm, 中心孔: φ37mm		
D-9	308160001	9075218	4251814657836	内六角半圆头螺丝	Hex Socket Cap Bolt, Button Head	M6*12		
D-10	308020017	9075217	4251814657829	法兰螺丝	Front Wheel Axle: Flange Bolt	M12*165*1.25		

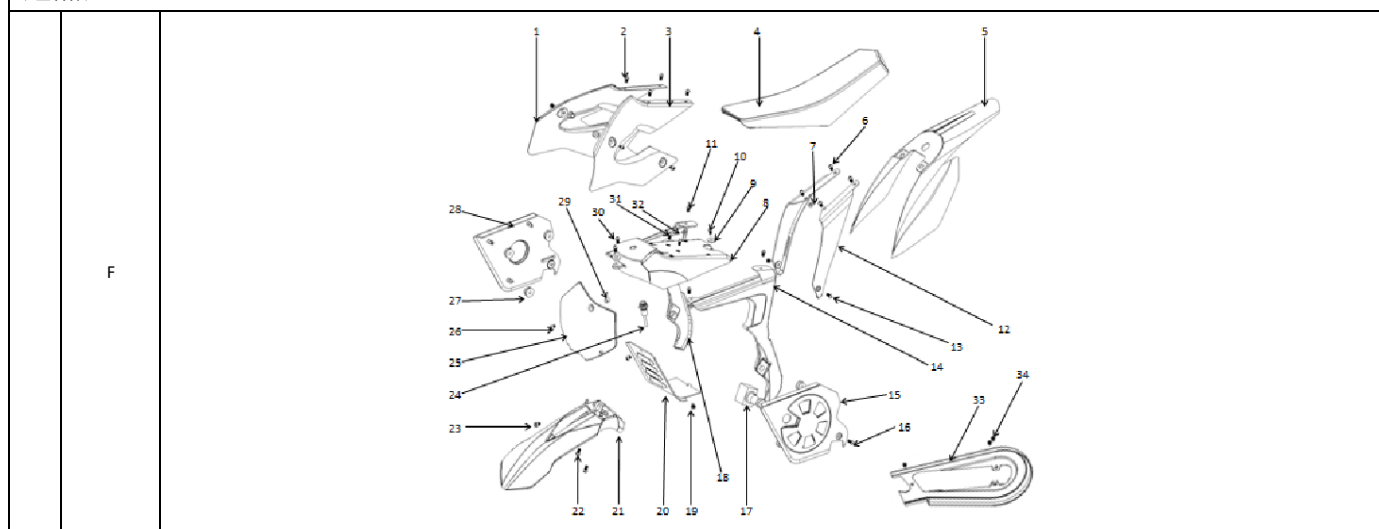
**(E后轮) REAR WHEEL ASSY.**



序号	零部件编号 SKU	Menila Art.	EAN Code	中文名称	英文名称 Spare part name in English	规格 Specification	ORDER	Note
E-1	308020015	9075219	4251814657843	法兰螺丝	Flange Bolt ( Rear Wheel Axle)	M12*140*1.25		
E-18	308350002	9075172	4251814694237	自锁螺母	Self-lock Nut	M12*1.25		
E-2	308190006	9075285	4251814663677	内六角螺丝	Hex Socket Cap Bolt	M6*12		
E-3	302140004	9075220	4251814657850	小越野后碟刹器固定片	Rear Brake Caliper Holder	小越野款, 孔径φ12mm		
E-4	305130006	9,071E+10	4251814687604	机械碟刹器	Front Brake Caliper, RED	普通正2款, 红色		OPTION
E-5	305030003	9075216	4251814657812	小越野碟刹盘	Rear Brake Disc	φ140*2mm, 中心孔: φ37mm		
E-6	308090022	9075221	4251814657881	后轮毂	Rear Wheel Spacer, R	φ16*1.5*5mm		
E-10	308090026	9075189	4251814656792	小越野后轮中间隔套	Middle Spacer Of Rear Wheel	φ16*1.5*81mm		
E-16	308090025	9075210	4251814657218	小越野后轮左边隔套	Rear Wheel Spacer, L	φ16*1.5*7mm		
E-7	304080002	9075184	4251814656648	后轮毂	Rear Wheel Hub	10寸, 小越野后铝轮毂·黑色车壳边		
E-8		9120055	4251814673072	内胎-Junkai	Inner Tube 10", Junkai	小越野轮内胎·2.50-10		
E-9		9120054	4251814680599	外胎-Junkai	Outer Tire 2.50-10", Junkai	小越野轮外胎·2.50-10, 深齿花纹		
E-11	304290002	9075211	4251814657225	轴承	Bearing 6001RS	6001RS		
E-12	307440001	9073040	4251814657867	链轮护罩, 套装	Driven Sprocket Cover	左右为一套		
E-13	303020007	9072007	4251814657874	链轮	Driven Sprocket 25H-80T	25H-80齿·内孔φ35mm, 电泳黑		
E-14	308280002	9075286	4251814663684	十字沉头螺丝	ANSI cross slotted head screw	M5*16		

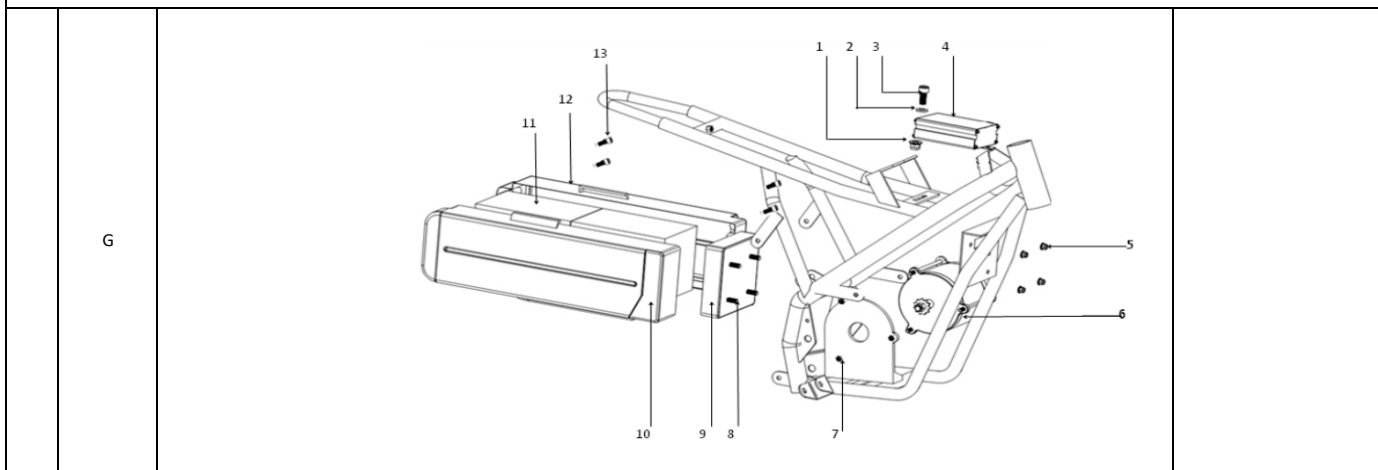
E-15	308160001	9075218	4251814657836	内六角半圆头螺丝	Hex Socket Cap Bolt,Button Head	M6*12		
E-17	303100004	9075222	4251814657898	千斤	Chain Adjuster	φ12*M6*60mm		
E-19	308050005	9075228	4251814660027	防松螺母	Lock Nut	M6		
E-20	308010004	9075253	4251814660270	弹垫	Spring Washer	φ6		
E-21	303110002	9075284	4251814663660	小越野千斤盖	Chain Adjuster Cover	小越野款		
E-22	308210003	9077779	4255675426853	平垫	Flat Washer	φ12*φ24*1.5		

**(F塑料件) PLASTIC BODY ASSY.**



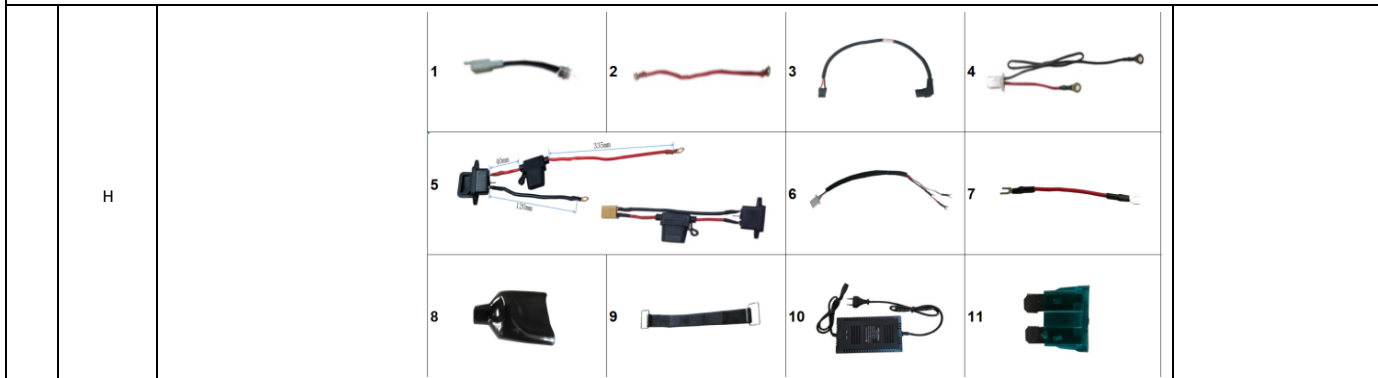
序号	零部件编号 SKU	Menila Art.	EAN Code	中文名称	英文名称 Spare part name in English	规格 Specification	ORDER	Note
F-1	307530009	9073041	4251814657904	前右侧板塑件	Front Plastic Cover, R, White	白色		
F-3	307570009	9073042	4251814657911	前左侧板塑件	Front Plastic Cover, L,White	白色		
F-4	307680069	9079700	4251814682579	座垫	Seat, Black	黑色		
F-5	307220001	9073043	4251814657928	后尾板塑件	Tail Plastic, White	白色		
F-21	307510019	9073051	4251814658000	前挡泥板	Front Mudguard, White	白色		New part since 2023
F-25	307150003	9073052	4251814658024	号码牌	Number Plate,White	白色		New part since 2023
F-8	307280001	9073044	4251814657935	假油壶	False Fuel Tank			
F-12	307050006	9073045	4251814657942	车架装饰片左	Rear Sub-Frame Cover, L	三角片		
F-13	307050002	9073059	4251814663707	车架装饰片右	Rear Sub-Frame Cover,R	三角片		
F-14	307010004	9073046	4251814657959	7字形左塑料件	Frame Cover Plastic, L, Silver Color	银色		
F-18	307010002	9073047	4251814657966	7字形右塑料件	Frame Cover Plastic, R, Silver Color	银色		
F-15	307120004	9073048	4251814657973	电机左侧板	Motor Cover, L			
F-20	307120003	9073050	4251814657997	电机中间护板	Motor Cover ,Bottom			
F-28	307120001	9073049	4251814657980	电机右侧板	Motor Cover, R			
F-33	307450008	9072404	4251814658048	链罩	Chain Cover	电动小越野款		
F-17	306470001	9071604	4251814658017	钥匙式三档开关(含钥匙)	3-Speed Key Switch Assy.			
F-24	306060004	9075183	4251814656631	电动小越野/小四轮 车架充电口	Charge Port	车架上·2.8插簧, 线长L=240mm		
	306070002	9077780	4255675426860	充电口金属盖	Charge Port Metal Cap			
F-2	308280005	9075288	4251814663714	十字沉头螺丝	ANSI cross slotted head screw	M6*16		
F-6	308170004	9075988	4251846140528	内六角大扁头螺丝	Hex Socket Cap Bolt,Flat Head	M6*20		
F-7	308210009	9075247	4251814660218	平垫	Flat Washer	φ6*φ16*1.5		
	308090055	9077781	4255675426877	隔套	Spacer	φ12Xφ8X5		
F-9	308040003	9075252	4251814660263	防滑螺母	Antiskid Nut	M6		
F-10	308170003	9075249	4251814660232	内六角大扁头螺丝	Hex Socket Cap Bolt,Flat Head	M6*16		
F-11	308170003	9075249	4251814660232	内六角大扁头螺丝	Hex Socket Cap Bolt,Flat Head	M6*16		
F-13	308160002	9075171	4251814694220	内六角半圆头螺丝	Hex Socket Cap Bolt,Button Head	M6*16		
	308210009	9075247	4251814660218	平垫	Flat Washer	φ6*φ16*1.5		
	308050005	9075228	4251814660027	防松螺母	Lock Nut	M6		
F-16	308160001	9075218	4251814657836	内六角半圆头螺丝	Hex Socket Cap Bolt,Button Head	M6*12		
F-19	308170003	9075249	4251814660232	内六角大扁头螺丝	Hex Socket Cap Bolt,Flat Head	M6*16		
F-22	308170003	9075249	4251814660232	内六角大扁头螺丝	Hex Socket Cap Bolt,Flat Head	M6*16		
F-23	308170002	9075289	4251814663721	内六角大扁头螺丝	Hex Socket Cap Bolt,Flat Head	M6*12		
F-26	308190009	9075255	4251814660294	内六角螺丝	Hex Socket Cap Bolt	M6*25		
F-27	307390006	9073107	4251814637760	胶塞	Rubber Plug	电机侧板边塞·工字形		
F-29	308090049	9075223	4251814658031	小越野号码牌隔套	Spacer	φ10*φ8*16mm		
F-30	308170002	9075289	4251814663721	内六角大扁头螺丝	Hex Socket Cap Bolt,Flat Head	M6*12		
F-31	308170002	9075289	4251814663721	内六角大扁头螺丝	Hex Socket Cap Bolt,Flat Head	M6*12		
F-32	308040003	9075252	4251814660263	防滑螺母	Antiskid Nut	M6		
F-34	308200001	9075238	4251814660126	内六角小扁头螺丝	Hex Socket Cap Bolt,Flat Head	M6*8		

(G 电器件) ELECTRONIC PARTS



序号	零部件编号 SKU	Menila Art.	EAN Code	中文名称	英文名称 Spare part name in English	规格 Specification	ORDER	Note
G-4	306340004	9070011	4251237171087	电动小越野·控制器	Controller 550W/24V	锐芯·24V/550W, 限流25±1A		1173043
G-4	306340004	9070012	4251237171094	电动小越野·控制器	Controller 550W/36V	锐芯·26V/550W, 限流25±1A		1173045
G-6	301010011	9079002	4251814681800	有刷电机	Motor 550W/24V	小越野24V/550W, 25H-11齿·有刷		1173043
G-6	301010011	9079003	4251814681817	有刷电机	Motor 550W/36V	小越野36V/550W		1173045
G-9	307320001	9078018	4251814658055	电池盒底座	Battery Box Seat	小越野电池盒底座		
G-12	307310001	9078019	4251814658062	电池盒	Battery Box Assy.	小越野电池盒·含上下盖和提手		
G-10								
G-11		9078005	4251237150815		Polar Bär AGM Batterie 6-DZM-12			
G-1	308050004	9075290	4251814663738	防松螺母	Lock Nut	M5		
G-2	308210009	9075247	4251814660218	平垫	Flat Washer	φ6*φ16*1.5		
G-3	308190004	9075291	4251814663745	内六角螺丝	Hex Socket Cap Bolt	M5*16		
G-5	308050004	9075290	4251814663738	防松螺母	Lock Nut	M5		
G-7	308050004	9075290	4251814663738	防松螺母	Lock Nut	M5		
G-8	308280001	9075292	4251814663752	十字沉头螺丝	ANSI cross slotted head screw	M5*12		
G-13	308300003	9075293	4251814663769	十字半圆自攻	Cross self-tapping screw, Button Head	M4*20		

(H 线索) WIRINGS



序号	零部件编号 SKU	Menila Art.	EAN Code	中文名称	英文名称 Spare part name in English	规格 Specification	ORDER	Note
H-1	306060003	9078021	4251814658086	电动小越野电池盒充电口总成 (含线/插件和胶盖)	Battery Box Charger Port EDQA15	EDQA15, 电池盒上·2.8插片, L=80±5mm		
H-2	306520003	9078022	4251814658093	电池连接线	Battery Connect Wiring ED4	ED4, L=295mm		Not available for Li-battery
H-3	306210003	9071627	4251814665107	电池盒电源连接线	Power Supply wiring EQ7G	EQ7G, L=250mm		
H-4	306080001	9078036	4251814663790	充电口延长线	Charger Port Wiring ED3	ED3, 小越野铅酸电池盒内使用		
H-5	306030002	9078015	4251814656754	保险盒线	Fuse box & Power supply wiring ED12X	ED12X, 24V铅酸用·红线L=375mm, 黑线L=120mm		
H-6	306480002	9075212	4251814657263	钥匙式三档开关连接线	3-speed wiring ED7	ED7, L=380mm		
H-7	306460001	9071623	4251814665060	钥匙三档开关连接小线	3-speed wiring ED10X	EQ10X, L=80±2mm		
H-8	307620001	9075192	4251814656822	线束护套	Rubber Sleeve	φ70*110mm		
H-9	307690001	9078011	4251814656723	电池盒绑带	Battery Box Belt	L=180mm		
H-10	306090007	9070054	4251684908373	24V铅酸充电器	Lead Acid Battery Charger 24V1.5A	24V/1.5A, 欧标·利双		
H-11	306040001	9078024	4251814658116	保险片	Fuse	25A		

(I 其他) OTHERS

序号	零部件编号 SKU	Menila Art.	EAN Code	中文名称	英文名称 Spare part name in English	规格 Specification	ORDER	Note
I	1							
		9,074E+10	4251814682494	贴花桔色	Sticker Kit orange			1173042 500W
		9,074E+10	4251814682500	贴花粉色	Sticker Kit pink			1173042 500W
		9,074E+10	4251814682517	贴花红色	Sticker Kit red			1173042 500W

I-1	307600006	9,074E+10	4251814682524	贴花绿色	Sticker Kit green		1173042 500W
		9073801020	4251814682531	贴花蓝色	Sticker Kit blue		1173042 500W
		9,074E+10	4255675411545	贴花桔色	Sticker Kit orange		1173043/1173045 -550W
		9,074E+10	4255675411552	贴花粉色	Sticker Kit pink		1173043/1173045 -550W
		9,074E+10	4255675411569	贴花红色	Sticker Kit red		1173043/1173045 -550W
		9,074E+10	4251846153924	贴花绿色	Sticker Kit green		1173043/1173045 -550W
		9,074E+10	4255675432526	贴花蓝色	Sticker Kit blue		1173043/1173045 -550W
		9,074E+10	4255675432533	贴花桔色	Sticker Kit orange		1173044 lithium
		9,074E+10	4255675432540	贴花粉色	Sticker Kit pink		1173044 lithium
		9,074E+10	4255675432557	贴花红色	Sticker Kit red		1173044 lithium
		9,074E+10	4255675432564	贴花绿色	Sticker Kit green		1173044 lithium
		9,074E+10	4255675432571	贴花蓝色	Sticker Kit blue		1173044 lithium
I-2	303040022	9076044	4251814657232	链条扣	25H Chain Connector	高速25H型	
I-3	305390003	9071012	4251814683774	银华正反碟刹器摩擦片	Brake Pad (2pcs/set)	套装 (两片为1套)	
I-4	301020006	9072011	4251814667453	电机齿轮	Motor Sprocket 25H-11T	25H-11齿 · 向阳,D型	

### ALTERNATIVE PARTS FOR WITH 36V LITHIUM BATTERY

序号	零部件编号 SKU	Menila Art.	EAN Code	中文名称	英文名称 Spare part name in English	规格 Specification	ORDER	Note
B-9	306500007	9077782	4255675426891	转把	Throttle Assy With 36V Electric Volume Meter (Lithium)	半截式, 小越野款, 36V锂电电量表, 熄火开关		1173044+1173045
G-11	306200005	9070085	4251684907994	锂电池	36V7.8AH Lithium Battery Assy.(including battery box)	锂电池36V/7.8AH, 小越野电池盒装		1173044+1173045
H-5	306030001	9078023	4251814658109	保险盒线	Fuse box & Power supply wiring ED12L	ED12L, 36V锂电用 · 线长L=120mm, 插件XT60		1173044+1173045
H-10	306090014	9070052	4251684908359	36V锂电充电器	Lithium battery Charger 36V1.8A	36V/1.8A, 欧标 · 利双		1173044+1173045



[www.nitromotors.de](http://www.nitromotors.de)

Copyright © 2025 Nitromotors | All rights reserved. "Nitromotors" is a registered trademark of Menila Import.  
 Druckfehler und Irrtümer vorbehalten. Menila Import | Hafcnbahnstr. 5 | 45881 Gelsenkirchen | E-Mail: parts@menilagroup.de