

1150132 212cc Autmatik midi Kinder Buggy

ART-NR. 1150132

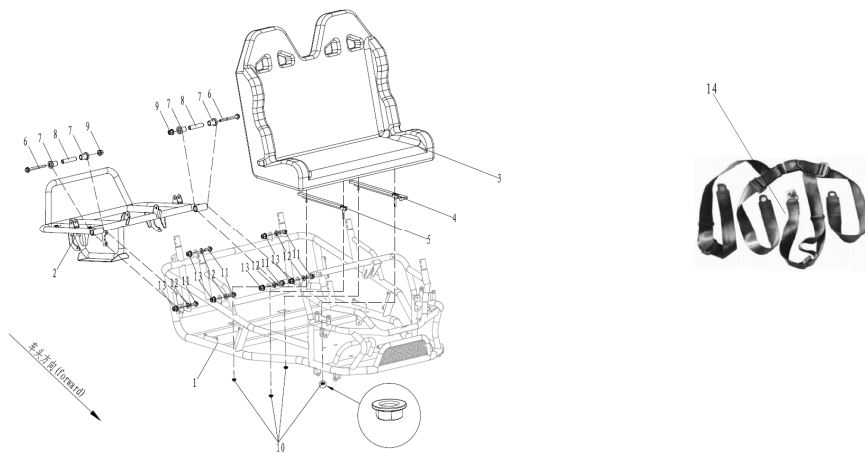
212CC FOREST MIDI BUGGY



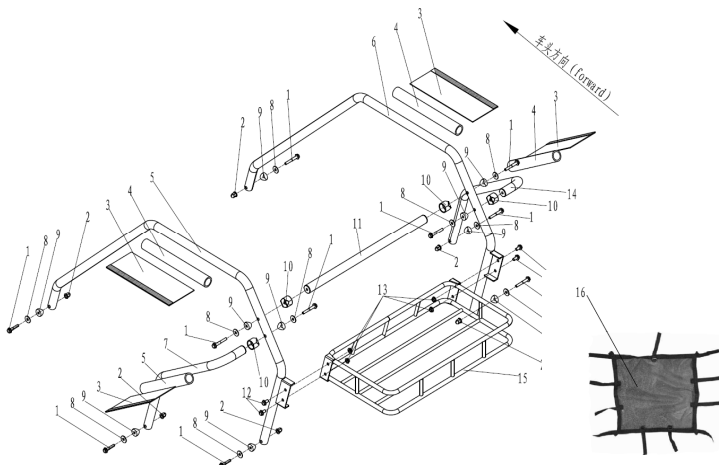
www.nitromotors.de

ERSATZTEILLISTE | SPARE PARTS LIST

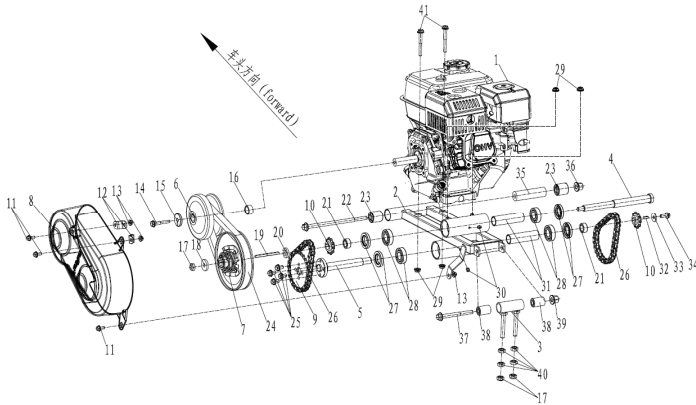
VERS. 1.0 | 13.08.2025



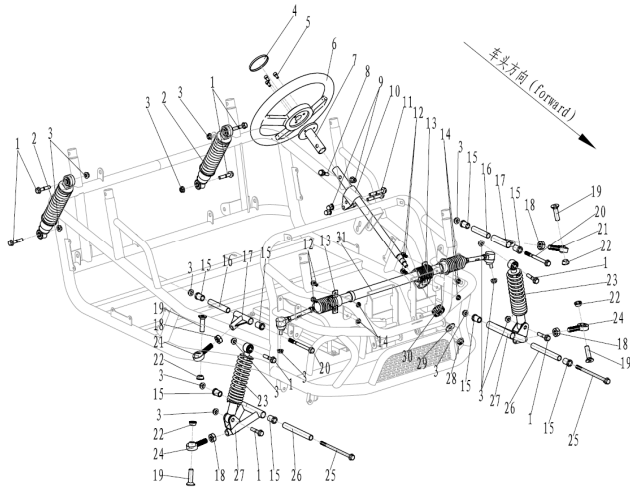
No.	Model	Part Number	Menila Art.	EAN Code	Name	Name	Qty	Order	Note
1	GK014	41000-20000	9110725	4251846190714	主车架	Main Chassis	1		
2	GK014	61110-20000	9110735	4251846192015	后摇架	Rear swing arm/ rear swing arm	1		
3	GK014	49310-20000	9110203	4251846190752	座椅	Seat	1		
4	GK014	49311-20000	9110703	4251814643792	座椅滑轨 I	seat slide I	1		
5	GK014	49312-20000	9110704	4251814643808	座椅滑轨 II	seat slide II	1		
6	GK014	GB/T5789	9111122	4251846191964	六角法兰面螺栓 (M10*100)	M10*100 Flange bolt	2		
7	GK014	52312-15600	9111001	4251814643822	后摇架隔套16*10.5*75	Inner spacer(16*10.5*75)	2		
8	GK014	52311-15600	9111002	4251814643839	后摇架尼龙套	Nylon sleeve on rear swing arm	4		
9	GK014	GB/T6187.1	9111003	4251814643846	M10法兰面自锁螺母	M10 Flange lock nut	2		
10	GK014	GB/T6187.1	9111004	4251814643853	M8法兰面自锁螺母	M8 Flange lock nut	4		
11	GK014	GB/T16674.2	9111005	4251814643860	细牙法兰面螺栓 (M10*25)	M10*100 Flange blot with fine pitch thread	6		
12	GK014	GB/T97.1	9111006	4251814643877	垫片10*20*2.0	Washer 10*20*2.0	6		
13	GK014	GB/T6187.2	9111007	4251814643884	M10细牙法兰面自锁螺母	M10 Flange lock nut with fine pitch thread	6		
14	GK014	49910-20000	9111008	4251814643891	安全带	seat belt	2		



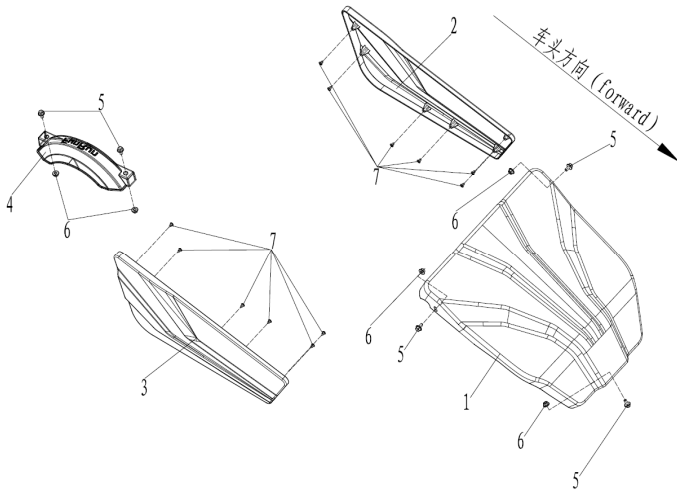
No.	Model	Part Number	Menila Art.	EAN Code	Name	Name	Qty	Order	Note
1	GK014	GB/T5789	9111009	4251814643907	六角法兰面螺栓 (M8*40)	M8*40 Flange blot	6		
2	GK014	GB/T923	9111010	4251814643914	M8盖形螺母	M8 Cap nut	6		
3	GK014	47112-15600	9111011	4251814643921	护手套	Protective leather sheath	4		
4	GK014	49552-20000	9111012	4251814643938	海绵管	Sponge pipe	4		
5	GK014	49510-20000	9110724	4251846190707	左龙门框	Left main brush guard	1		
6	GK014	49520-20000	9110728	4251846190745	右龙门框	Right main brush guard	1		
7	GK014	49530-20000	9110707	4251814643969	左栏杆	Left brush guard side support	1		
8	GK014	GB/T96.2	9111013	4251814644010	垫片8*24*2.0	Washer 8*24*2.0	10		
9	GK014	42401-20000	9111014	4251814644027	凹型垫圈	Castle nuts	10		
10	GK014	42400-20000	9110708	4251814643976	龙门框接头	Nylon sleeve on frame	4		
11	GK014	49550-20000	9110709	4251814643983	龙门框横撑管	Brush guard cross braces	1		
12	GK014	GB/T5789	9111015	4251814644034	六角法兰面螺栓 (M8*16)	M8*16 Flange blot	4		
13	GK014	GB/T6187.1	9111004	4251814643853	M8法兰面自锁螺母	M8 Flange lock nut	4		
14	GK014	49540-20000	9110710	4251814643990	右栏杆	Right brush guard side support	1		
15	GK014	46100-20000	9110726	4251846190721	行李架	Luggage rack	1		
16	GK014	47301-20000	9111017	4251814644058	后防护网	Rear protective net	1		



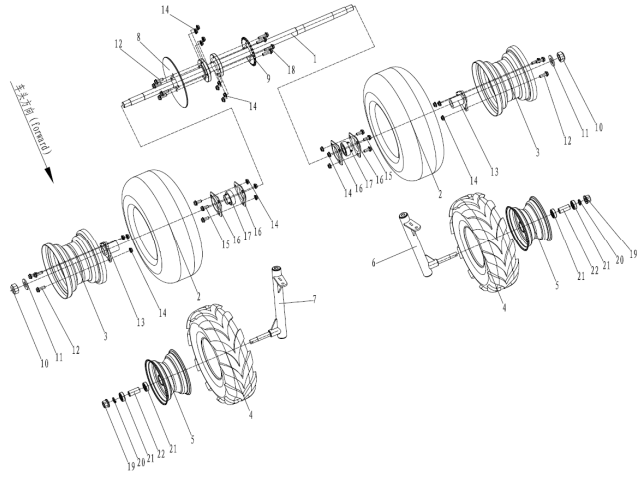
No.	Model	Part Number	GK014 Menila Art.	GK 014 EAN Code	Name	Name	Qty	Order	Note
1	GK014	10000-20000	9110901	4251846192008	212CC 发动机	212CC Engine	1		
2	GK014	11610-20000	9110736	4251846192077	发动机托架	Engine support /Engine Hanger/support	1		
3	GK014	11710-20000	9111225	4255675496511	发动机调节支架	Engine adjusting bracket	1		
4	GK014	27110-20000	9111136	4251846192213	副轴	Countershaft(Main axle)	1		
5	GK014	27121-20000	9111226	4255675496528	从动轴	Driven shaft	1		
6	GK014	22600-20000	9110804	4251846192022	主动轮	Drive sprocket	1		
7	GK014	22400-20000	9111154	4251846192459	从动轮	Driven pulley	1		
8	GK014	48300-20000	9110607	4251846190974	CVT罩	CVT cover	1		
9	GK014	27520-20000	9110805	4251846192152	从动轴链轮	Driven shaft sprocket	1		
10	GK014	29200-20000	9110806	4251846192183	十齿小链轮	Ten tooth small sprocket(Small wheel chain)	2		
11	GK014	GB/T5789	9111035	4251814644300	六角法兰面螺栓 (M6*16)	M6*16 Flange blot	3		
12	GK014	61140-20000	9111227	4255675496535	CVT罩固定耳片	CVT fixed cover	2		
13	GK014	GB/T6183.1	9111023	4251814644126	M6法兰面非金属锁紧螺母	M6 Flange nonmetal lock nut	3		
14	GK014	GB/T5789	9111034	4251814644294	六角法兰面螺栓 (M8*50)	M8*50 Flange blot	1		
15	GK014	22601-20000	9111130	4251846192121	CVT垫块	CVT bracket	1		
16	GK014	27130-20000	9111228	4255675496542	主轴隔套25*19*14	Inner spacer(25*19*14)	1		
17	GK014	GB/T6182	9111229	4255675496559	M10非金属六角锁紧螺母	M10 Nonmetal lock nut	3		
18	GK014	22402-20000	9111230	4255675496566	垫片10*30*5.0	Washer 10*30*5.0	1		
19	GK014	GB/T1096	9111135	4251846192206	平键B5*5*75	Flat key B5*5*75	1		
20	GK014	22401-20000	9111231	4255675496573	开槽垫圈	Slotted gasket	1		
21	GK014	27140-20000	9111232	4255675496580	副轴隔套25*16*12	Inner spacer(25*16*12)	2		
22	GK014	GB/T5789	9111233	4255675496597	细牙法兰面螺栓 (M10*190)	M10*190 Flange blot with fine pitch thread	1		
23	GK014	11651-20000	9111234	4255675496603	发动机托架前缓冲套	Front buffer sleeve	2		
24	GK014	22001-20000	9111132	4251846192145	CVT皮带	CVT belt	1		
25	GK014	GB/T5789	9111235	4255675496610	六角法兰面螺栓 (M8*14)	M8*14 Flange blot	4		
26	GK014	GB/T14212	9110808	4251846192428	420-16链条	420-16 Chain	2		
27	GK014	GB13871	9111236	4255675496627	油封	Oil seal	4		
28	GK014	GB/T276-1994	9111237	4255675496634	轴承6004RS	6004RS Bearing	4		
29	GK014	GB/T6187.1	9111004	4251814643853	M8法兰面自锁螺母	M8 Flange lock nut	4		
30	GK014	GB1152-89	9111238	4255675496641	黄油嘴 (M6)	M6 grease nipple	2		
31	GK014	27130-20000	9111239	4255675496658	副轴隔套25*21*90	Inner spacer(25*21*90)	2		
32	GK014	GB/T1096	9111151	4251846192374	平键B5*5*15	Flat key B5*5*15	1		
33	GK014	GB/T96.2	9111013	4251814644010	垫片8*24*2.0	Washer 8*24*2.0	1		
34	GK014	GB/T5789	9111075	4251846190790	六角法兰面螺栓 (M8*20)	M8*20 Flange blot	1		
35	GK014	11650-20000	9111242	4255675496689	发动机托架隔套25*10.5*92	Inner spacer(25*10.5*92)	1		
36	GK014	GB/T6187.1	9111003	4251814643846	M10法兰面自锁螺母	M10 Flange lock nut	2		
37	GK014	GB/T5789	9111000	4251814643815	六角法兰面螺栓 (M10*100)	M10*100 Flange blot	1		
38	GK014	11652-20000	9111240	4255675496665	发动机托架前缓冲套	Rear buffer sleeve	2		
39	GK014	GB/T6187.2	9111007	4251814643884	M10细牙法兰面自锁螺母	M10 Flange lock nut with fine pitch thread	1		
40	GK014	GB/T6170	9111241	4255675496672	M10 I型六角螺母	M10 type I nut	4		
41	GK014	GB/T5789	9111140	4251846192268	六角法兰面螺栓 (M8*65)	M8*65 Flange blot	2		



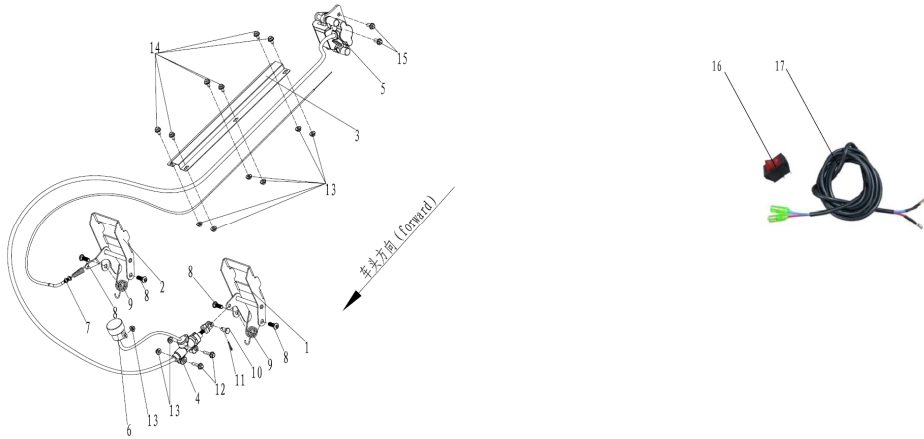
No.	Model	Part Number	Menila Art.	EAN Code	Name	Name	Qty	Order	Note
1	GK014	GB/T5789	9111009	4251814643907	六角法兰面螺栓 (M8*40)	M8*40 Flange blot	8		
2	GK014	62100-20000	9110401	4251814644232	后减震	Rear shock absorber	2		
3	GK014	GB/T6187.1	9111004	4251814643853	M8法兰面自锁螺母	M8 Flange lock nut	14		
4	GK014	56150-20000	9111029	4251814644249	方向盘装饰罩	Steering wheel trim cover	1		
5	GK014	GB/T70.1	9111030	4251814644256	内六角圆柱头螺栓 (M6*12)	M6*12 Hexagon socket bolt	3		
6	GK014	56140-20000	9111031	4251814644263	方向盘	Steering wheel	1		
			9110732	4251846191452	方向柱	Steer column flange	1		
7	GK014	27220-15600	9111032	4251814644270	方向盘安装座	Steering wheel mount	1		
8	GK014	GB/T5789	9111022	4251814644119	六角法兰面螺栓 (M8*35)	M8*35 Flange blot	1		
9	GK014	GB/T923	9111010	4251814643914	M8盖形螺母	M8 Cap nut	3		
10	GK014	27221-15600	9111033	4251814644287	转向轴安装尼龙套	Steering shaft mounting nylon sleeve	1		
11	GK014	GB/T5789	9111034	4251814644294	六角法兰面螺栓 (M8*50)	M8*50 Flange blot	2		
12	GK014	GB/T5789	9111035	4251814644300	六角法兰面螺栓 (M6*16)	M6*16 Flange blot	4		
13	GK014	56112-20000	9111036	4251814644317	方向机骑马卡	Steering machine fixed support	2		
14	GK014	GB/T6183.1	9111023	4251814644126	M6法兰面非金属锁紧螺母	M6 Flange nonmetal lock nut	4		
15	GK014	52450-20000	9111037	4251814644324	前摆臂尼龙套	Nylon sleeve on front swing arm	4		
16	GK014	52430-20000	9111038	4251814644331	上摇臂隔套12*8.5*80	Inner spacer(12*8.5*80)	2		
17	GK014	52410-20000	9110712	4251814644348	上摇臂	Upper rocker arm	2		
18	GK014	GB/T6170	9111039	4251814644355	M12 I型六角螺母	M12 type I nut			
19	GK014	GB/T70.3	9111040	4251814644362	内六角沉头螺栓 (M12*45)	M12*45 Hexagon socket countersunk head bolt	4		
20	GK014	52461-20000	9110713	4251814644379	上支撑球头	upper support ball joint	2		
21	GK014	GB/T5789	9111000	4251814643815	六角法兰面螺栓 (M8*100)	M8*100 Flange blot	2		
22	GK014	52463-20000	9111041	4251814644386	锥形开槽垫圈	Conical slotted washer	4		
23	GK014	52100-20000	9110402	4251814644393	前减震	Front shock absorber	2		
24	GK014	52462-20000	9110714	4251814644409	下支撑球头	Lower support ball joint	2		
25	GK014	GB/T5789	9111042	4251814644423	六角法兰面螺栓 (M8*140)	M8*140 Flange blot	2		
26	GK014	52440-20000	9111043	4251814644430	上摇臂隔套12*8.5*120	Inner spacer(12*8.5*120)	2		
27	GK014	52420-20000	9110715	4251814644416	下摇臂	Lower rocker arm / Low arm	2		
28	GK014	GB/T6187.2	9111007	4251814643884	M10细牙法兰面自锁螺母	M10 Flange lock nut with fine pitch thread	1		
29	GK014	GB/T97.1	9111006	4251814643877	垫片10*20*2.0	Washer 10*20*2.0	1		
30	GK014	56122-20000	9110108	4251814644447	方向机齿轮	Steering gear	1		
31	GK014	56110-20000	9110109	4251814644454	方向机	Steering machine / Rack and Pinion	1		



No.	Model	Part Number	Menila Art.	EAN Code	Name	Name	Qty	Order	Note
1	GK014	84410-20000	9110602	4251814644621	前面罩	Front hood (Front cover)	1		
2	GK014	47100-20000	9110603	4251814644638	左侧板	Right decorate cover(Left cover)	1		
3	GK014	47200-20000	9110604	4251814644645	右侧板	Left decorate cover(Right cover)	1		
4	GK014	64800-20000	9110610	4251846191001	碟刹盘保护罩	Chain cover (Brake cover)	1		
5	GK014	GB/T5789	9111035	4251814644300	六角法兰面螺栓 (M6*16)	M6*16 Flange blot	5		
6	GK014	GB/T6183.1	9111023	4251814644126	M6法兰面非金属锁紧螺母	M6 Flange nonmetal lock nut	5		
7	GK014	JIS B 1122	9111023	4251814644126	十字槽自攻螺钉 (M4.5*10)	M4.5*10 Cross recessed self tapping screw	12		
8	GK014		91106800202	4251814644904	贴花红	Sticker set red	1		
8	GK014		91106800303	4251814644911	贴花蓝	Sticker set blue	1		



No.	Model	Part Number	Menila Art.	EAN Code	Name	Name	Qty	Order	Note
1	GK014	27100-20000	9110734	4251846191476	后轴组件	axle(Rear axle)	1		
2	GK014		9120003	4251814644881	后轮胎	Junkai Rear tire 6x8-7 tubeless	2		
3	GK014	65300-20000	9110506	4251814644867	后轮毂	Rear hub	2		
4	GK014		9120004	4251814625507	前轮胎	Junkai Front tire 145/70-6 tubeless	2		
5	GK014	55300-20000	9110507	4251814644874	前轮毂	Front hub	2		
6	GK014	52310-20000	9110717	4251814644485	左前摆臂	Left front swing arm	1		
7	GK014	52320-20000	9110718	4251814644492	右前摆臂	Right front swing arm	1		
8	GK014	59008-20000	9110807	4251846192251	碟刹盘	rear Brake disc	1		
9	GK014	27510-20000	9110740	4251846192398	后轴链轮	Sprocket on rear axle	1		
10	GK014	GB/T6182	9111243	4255675496696	M20非金属六角锁紧螺母	M20 Nonmetal lock nut	2		
11	GK014	GB/T97.1	9111244	4255675496702	垫片20*36*2.0	Washer 20*36*2.0	2		
12	GK014	GB/T5789	9111046	4251814644522	六角法兰面螺栓 (M8*25)	M8*25 Flange blot	10		
13	GK014	27800-20000	9111245	4255675496719	轮毂法兰	Flange on hub	2		
14	GK014	GB/T6187.1	9111004	4251814643853	M8法兰面自锁螺母	M8 Flange lock nut	20		
15	GK014	GB/T5789	9111075	4251846190790	六角法兰面螺栓 (M8*20)	M8*20 Flange blot	6		
16	GK014	GB/T7810	9111246	4255675496726	轴承固定耳片	Iron sheet covering bearing	4		
17	GK014	GB/T7810	9111247	4255675496733	偏心轴承 UBPF 205	Eccentric bearing UBPF 205	2		
18	GK014	GB/T5789	9111248	4255675496740	六角法兰面螺栓 (M8*30)	M8*30 Flange blot	4		
19	GK014	GB/T6187.1	9111051	4251814644577	M14法兰面自锁螺母	M14 Flange lock nut	2		
20	GK014	GB/T93	9111052	4251814644584	弹簧垫圈Ø14	Ø14 Spring washer	2		
21	GK014	GB/T276-1994	9111053	4251814644591	轴承6002	6002 Bearing	4		
22	GK014	55301-20000	9111054	4251814644607	前轮内隔套18*16*40	Inner spacer(18*16*40)	2		



No.	Model	Part Number	Menila Art.	EAN Code	Name	Name	Qty	Order	Note
1	GK014	28810-20000	9110719	4251814644669	刹车踏板	Brake pedal	1		
2	GK014	28710-20000	9110721	4251846190677	油门踏板	Gas pedal	1		
3	GK014	42200-20000	9111056	4251814644690	盖线板	Plate covering the wire	1		
4	GK014	59020-20000	9110813	4255675496849	刹车上泵	Brake pump	1		
5	GK014	59010-20000	9110814	4255675496856	刹车钳	Brake caliper	1		
6	GK014	59030-20000	9110815	4255675496863	油杯	Oil cap	1		
7	GK014	58310-20000	9110119	4251846192435	油门拉索	Throttle cable	1		
8	GK014	28820-20000	9111060	4251814644737	内六角台阶螺栓 (M8*16)	M8*16 Hexagon socket step bolt	4		
9	GK014	28813-15600	9111061	4251814644744	回位弹簧	Return spring	2		
10	GK014	GB/T882-2008	9111062	4251814644751	销轴 (Ø8*20)	Ø8*20 pin shaft	1		
11	GK014	GB/T882-2008	9111063	4251814644768	销子	pin	1		
12	GK014	GB/T5789	9111064	4251814644775	六角法兰面螺栓 (M6*30)	M6*30 Flange blot	2		
13	GK014	GB/T6183.1	9111023	4251814644126	M6法兰面非金属锁紧螺母	M6 Flange nonmetal lock nut	9		
14	GK014	GB/T5789	9111035	4251814644300	六角法兰面螺栓 (M6*16)	M6*16 Flange blot	6		
15	GK014	GB/T5789	9111015	4251814644034	六角法兰面螺栓 (M8*16)	M8*16 small series flange blot	2		
16	GK014	36600-20000	9111153	4251846192442	熄火开关	Flameout switch	1		
17	GK014	36601-20000	9110118	4251846192084	电缆线	Cable line	1		
			9111113	4251846191384		Dust cover	1		



www.nitromotors.de

Copyright © 2025 Nitromotors | All rights reserved. "Nitromotors" is a registered trademark of Menila Import.
Druckfehler und Irrtümer vorbehalten. Menila Import | Hafenhahnstr. 5 | 45881 Gelsenkirchen | E-Mail: parts@menilagroup.de