

ART-NR. 1150121

# 125CC BUGGY

MIDI-BUGGY

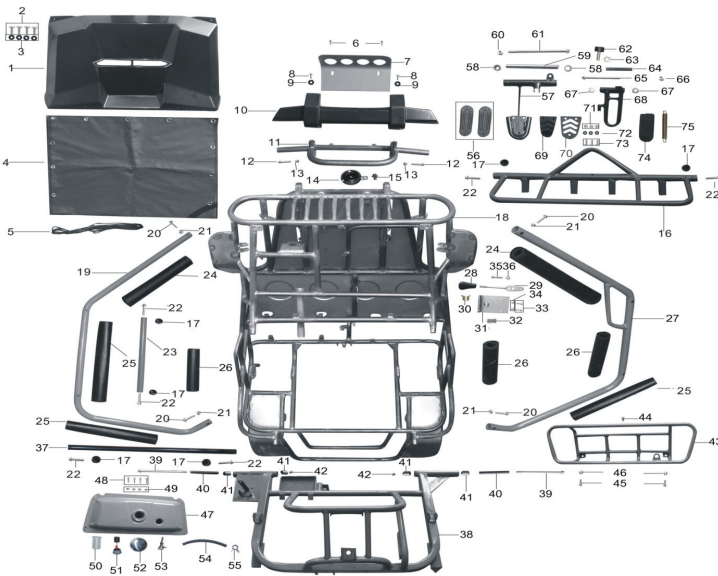


ERSATZTEILANFRAGE

www.nitromotors.de

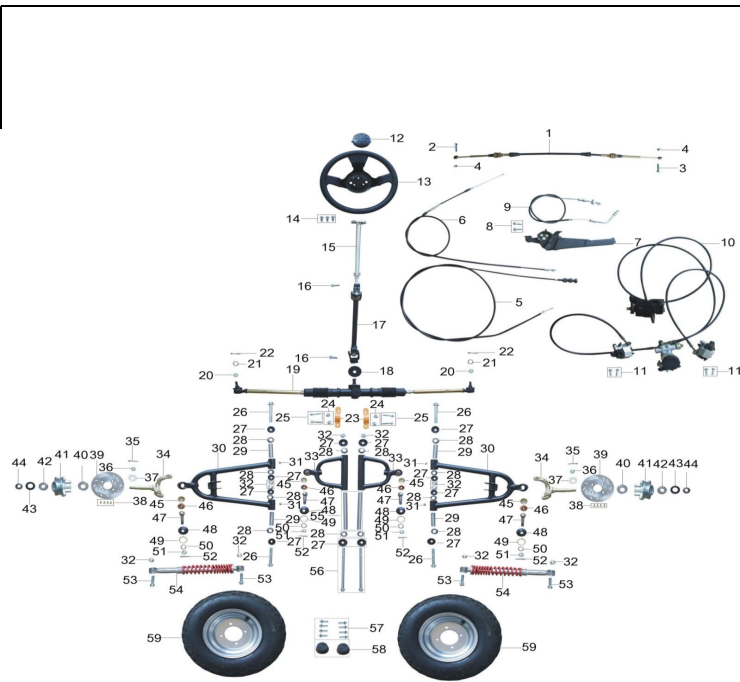
## ERSATZTEILLISTE | SPARE PARTS LIST

VERS. 1.0 | 04.11.2025



Part No.	Menila New ET Nr.	EAN Code	Part name	demand	order	Note
GK110-1-01	90415750303	4251846149996	Front head cover red	1		
GK110-1-01	90415750404	4251846152866	Front head cover green	1		
GK110-1-01	90415750202	4251846152873	Front head cover blue	1		
GK110-1-01	90415750101	4251846152880	Front head cover black	1		
GK110-1-02	9040346	4251846150008	Head cross screw	4		
GK110-1-03	9040347	4251846150015	Rubber flat gaster	4		
GK110-1-04	9040381	4251846150350	Awning	1		
GK110-1-05	9040382	4251846150367	Tie line	1		
GK110-1-06	9040348	4251846150022	Hexagon flange bolt	2		
GK110-1-07	9041574	4251846149992	Bumper board	1		
GK110-1-08	9040349	4251846150039	Head cross screw	2		
GK110-1-09	9040350	4251846150046	Rubber flat gaster	2		
GK110-1-10	9041576	4251846152514	Front bumper cover	1		
GK110-1-11	90490730303	4251846152521	front Bumper red	1		
GK110-1-11	90490730202	4251846152897	front Bumper blue	1		
GK110-1-11	90490730404	4251846152903	front Bumper green	1		
GK110-1-11	90490730101	4251846152910	front Bumper black	1		
GK110-1-12	9040380	4251846150343	Hexagon flange bolt	2		
GK110-1-13	9040351	4251846150053	Self lock nut	2		
GK110-1-14	9041577	4251846150466	Horn	1		
GK110-1-15	9040352	4251846150060	Hexagon flange bolt	1		
GK110-1-16	90490730303	4251846152538	Head light bracket red	1		
GK110-1-16	90490730202	4251846152545	Head light bracket blue	1		
GK110-1-16	90490730404	4251846152552	Head light bracket green	1		
GK110-1-16	90490730101	4251846152569	Head light bracket black	1		
GK110-1-17	9040510	4251846152064	Union joint	6		
GK110-1-18	90490750303	4251846152576	Main frame red	1		
GK110-1-18	90490750202	4251846152583	Main frame blue	1		
GK110-1-18	90490750404	4251846152590	Main frame green	1		
GK110-1-18	90490750101	4251846152606	Main frame black	1		
GK110-1-19	90490750101	4251846152613	Frame side pipe(Left) red	1		
GK110-1-19	90490760303	4251846152620	Frame side pipe(Left)blue	1		
GK110-1-19	90490760202	4251846152637	Frame side pipe(Left) green	1		
GK110-1-19	90490760404	4251846152644	Frame side pipe(Left) black	1		
GK110-1-20	90490760101	4251846152071	Hexagon flange bolt	4		
GK110-1-21	9040353	4251846150077	Self lock nut	4		
GK110-1-22	9040354	4251846150084	Hexagon bolt	6		
GK110-1-23	90490780303	4251846152699	Head light support tube red	1		
GK110-1-23	90490780202	4251846152705	Head light support tube blue	1		
GK110-1-23	90490780404	4251846152712	Head light support tube green	1		
GK110-1-23	90490780101	4251846152729	Head light support tube black	1		
GK110-1-24	9040383	4251846150374	Spong protection cover	2		
GK110-1-25	9040384	4251846150381	Spong protection cover	3		
GK110-1-26	9040385	4251846150398	Spong protection cover	3		
GK110-1-27	90490770303	4251846152651	Frame side pipe(Right)red	1		
GK110-1-27	90490770202	4251846152668	Frame side pipe(Right)blue	1		
GK110-1-27	90490770404	4251846152675	Frame side pipe(Right)green	1		
GK110-1-27	90490770101	4251846152682	Frame side pipe(Right)black	1		
GK110-1-28	9040386	4251846150404	Shifting handle	1		
GK110-1-29	9040387	4251846150411	Shift lever assy	1		
GK110-1-30	9040388	4251846150428	Shifting handle fixed set	1		
GK110-1-31	9040389	4251846150435	Install panel assy	1		
GK110-1-32	9040379	4251846150336	Pressure spring	1		
GK110-1-33	9040355	4251846150091	Hexagon bolt	2		
GK110-1-34	9040356	4251846150107	Self lock nut	2		
GK110-1-35	9040357	4251846150114	Step bolt	1		
GK110-1-36	9040358	4251846150121	Self lock nut	1		
GK110-1-37	9040390	4251846150442	Frame support tube	1		
GK110-1-38	90490800303	4251846152927	Rear suspension red	1		
GK110-1-38	90490800404	4251846152934	Rear suspension green	1		
GK110-1-38	90490800202	4251846152941	Rear suspension blue	1		
GK110-1-38	90490800101	4251846152958	Rear suspension black	1		

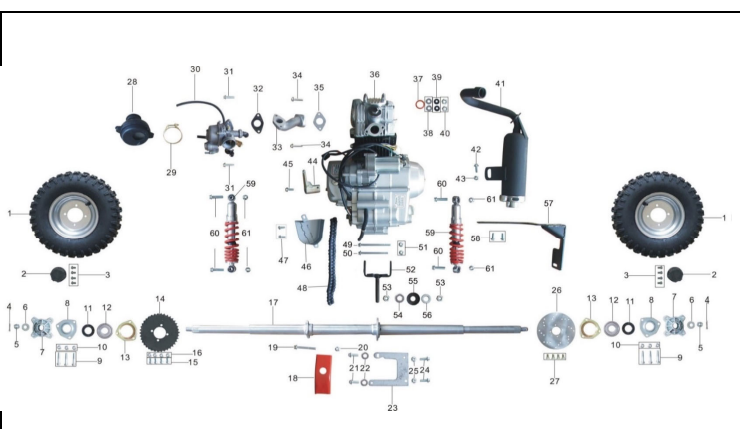
GK110-1-39	9040359	4251846150138	Hexagon bolt	1		
GK110-1-40	9040391	4251846150459	Rear suspension liner tube	2		
GK110-1-41	9040360	4251846150145	Cushion collar	4		
GK110-1-42	9040361	4251846150152	Self lock nut	2		
GK110-1-43	90490790303	4251846152743	Rear rack red	1		
GK110-1-43	90490790202	4251846152750	Rear rack blue	1		
GK110-1-43	90490790404	4251846152767	Rear rack green	1		
GK110-1-43	90490790101	4251846152774	Rear rack black	1		
GK110-1-44	9040362	4251846150169	Hexagon flange bolt	1		
GK110-1-45	9040363	4251846150176	Hexagon flange bolt	2		
GK110-1-46	9040364	4251846150183	Self lock nut	2		
GK110-1-47	90460100303	4251846150473	Fuel tank red	1		
GK110-1-47	90460100202	4251846152965	Fuel tank blue	1		
GK110-1-47	90460100404	4251846152972	Fuel tank green	1		
GK110-1-47	90460100101	4251846152989	Fuel tank black	1		
GK110-1-48	9040365	4251846150190	Hexagon flange bolt	4		
GK110-1-49	9040366	4251846150206	Self lock nut	4		
GK110-1-50	9046011	4251846150480	Fuel tank strainer	1		
GK110-1-51	9046012	4251846150497	Fuel meter	1		
GK110-1-52	9046013	4251846150503	Fuel tank cap	1		
GK110-1-53	9046014	4251846150510	Oil switch	1		
GK110-1-54	9046015	4251846150527	Fuel tube	1		
GK110-1-55	9046016	4251846150534	Hoop	2		
GK110-1-56	9040392	4251846150541	Antislip rubber mat	2		
GK110-1-57	9040512	4251846152996	Brake pedal	1		
GK110-1-58	9040393	4251846150558	Nylon bush	2		
GK110-1-59	9040394	4251846150565	Screened pipe	1		
GK110-1-60	9040377	4251846150312	Self lock nut	1		
GK110-1-61	9040378	4251846150329	Hexagon flange bolt	1		
GK110-1-62	9040367	4251846150213	Rubber bolt	1		
GK110-1-63	9040368	4251846150220	Hexagon nut	1		
GK110-1-64	9040395	4251846150572	Screened pipe	1		
GK110-1-65	9040369	4251846150237	Step bolt	1		
GK110-1-66	9040370	4251846150244	Self lock nut	1		
GK110-1-67	9040371	4251846150251	Nylon bush	2		
GK110-1-68	9040513	4251846153009	Accelerator padel	1		
GK110-1-69	9040514	4251846153016	Accelerator pedal rubber mat	1		
GK110-1-70	9040515	4251846153023	Cover plate	1		
GK110-1-71	9040372	4251846150268	Self lock nut	3		
GK110-1-72	9040376	4251846150305	Rubber pad	3		
GK110-1-73	9040373	4251846150275	Head cross bolt	3		
GK110-1-74	9040375	4251846150299	Brake pedal rubber mat	1		
GK110-1-75	9040374	4251846150282	Tension spring	1		



**GK003 swing arms new and old versions 新款和老款区别**

<b>1</b>		<p>新款式 New one:</p> <ol style="list-style-type: none"> <li>1. 上摇臂 up swing arms</li> <li>2. 转向臂 knuckle</li> <li>3. 下摇臂 down swing arms</li> </ol>
<b>2</b>		<p>老款式 old one:</p> <ol style="list-style-type: none"> <li>1. 上摇臂 up swing arms</li> <li>2. 下摇臂 dow swing arms</li> <li>3. 转向臂 knuckle</li> </ol>

Part No.	Menila New ET Nr.	EAN Code	Part name	demand	order	Note
GK110-2-01	9045158	4251846150589	Shifting line	1		
GK110-2-02	9040396	4251846150626	Step bolt	1		
GK110-2-03	9040397	4251846150633	Hexagon flange bolt	1		
GK110-2-04	9040398	4251846150640	Self lock nut	2		
GK110-2-05	9045159	4251846150596	Choke Cable	1		
GK110-2-06	9045160	4251846150602	throttle cable	1		
GK110-2-07	9040400	4251846150664	Parking handle	1		
GK110-2-08	9040399	4251846150657	Hexagon flange bolt	2		
GK110-2-09	9045161	4251846150619	Parking Line	1		
GK110-2-10	9043012	4251846150671	Hydraulic brake assy	1		
GK110-2-11	9040401	4251846150688	Hexagon flange bolt	4		
GK110-2-12	9040437	4251846151098	Steering wheel cover	1		
GK110-2-13	9040438	4251846151104	Steering wheel	1		
GK110-2-14	9040402	4251846150695	Hexagon flange bolt	3		
GK110-2-15	9049071	4251846151197	Steering wheel shaft	1		
GK110-2-16	9040403	4251846150701	Hexagon bolt	2		
GK110-2-17	9049070	4251846151180	Steering shaft coupling	1		
GK110-2-18	9040436	4251846151081	Steering dustproof	1		
GK110-2-19	9049069	4251846151050	machine direction	1		
GK110-2-20	9040404	4251846150718	Slotted cut	2		
GK110-2-21	9040405	4251846150725	Spring washer	2		
GK110-2-22	9040406	4251846150732	Cotter	2		
GK110-2-23	9040407	4251846150749	steering whell hoop	2		
GK110-2-24	9040408	4251846150756	Self lock nut	4		
GK110-2-25	9040409	4251846150763	Hexagon flange bolt	4		
GK110-2-26	9040410	4251846150770	Hexagon flange bolt	4		
GK110-2-27	9040411	4251846150787	Dustproof cap	12		
GK110-2-28	9044311	4251846151067	Bearing	12		
GK110-2-29	9040434	4251846151036	Down swing liner pipe	4		
GK110-2-30	9049303	4251846151166	Down swing arm L/R New	2		
GK110-2-30	9049305	4255675422756	Down swing arm L/R old	2		
GK110-2-31	9040435	4251846151074	Grease fitting	4		
GK110-2-32	9040412	4251846150794	Self lock nut	10		
GK110-2-33	9049304	4251846151173	Upper swing arm L/R New	2		
GK110-2-33	9049306	4255675422763	Upper swing arm L/R old	2		
GK110-2-34	9040432	4251846151012	Steering knuckle right New	1		
GK110-2-34	9040534	4255675464343	Steering knuckle left New	1		
GK110-2-34	9040535	4255675466927	Steering knuckle right old	1		
GK110-2-34	9040536	4255675466934	Steering knuckle left old	1		
GK110-2-35	9040433	4251846151029	Cotter	2		
GK110-2-36	9040413	4251846150800	Slotted nut	2		
GK110-2-37	9040414	4251846150817	Flat gasket	2		
GK110-2-38	9040415	4251846150824	Head cross bolt	8		
GK110-2-39	9043013	4251846150862	Front brake disc	2		
GK110-2-40	9043110	4251846150879	Bearing	2		
GK110-2-41	9040431	4251846151005	Front flange	2		
GK110-2-42	9043110	4251846150879	Bearing	2		
GK110-2-43	9040416	4251846150831	Oil seal	2		
GK110-2-44	9040417	4251846150848	Spacer bush	2		
GK110-2-45	9040418	4251846150855	Round head spacer	4		
GK110-2-46	9040420	4251846150893	Round head cover	4		
GK110-2-47	9040421	4251846150909	Round head	4		
GK110-2-48	9040422	4251846150916	Round head dust cover	4		
GK110-2-49	9040419	4251846150886	Clamp spring	4		
GK110-2-50	9040423	4251846150923	Spring pad	4		
GK110-2-51	9040424	4251846150930	Slotted nut	4		
GK110-2-52	9040425	4251846150947	Cotter	4		
GK110-2-53	9040426	4251846150954	Hexagon flange bolt	4		
GK110-2-54	9042011	4251846151043	Front shock absorber	2		
GK110-2-55	9040427	4251846150961	Upper swing arm liner pipe	2		
GK110-2-56	9040428	4251846150978	Hexagon flange bolt	2		
GK110-2-57	9040429	4251846150985	Hexagon flange bolt	8		
GK110-2-58	9040430	4251846150992	Front wheel dust cover	2		
GK110-2-59	9120007	4251814625514	Front outer tyre brand Junkai	2		
GK110-2-59	9045003	4251814687062	Front rim 16"8-7	2		
	90415790303	4251846153047	Rim plastic cover red	4		
	90415790404	4251846153054	Rim plastic cover green	4		
	90415790202	4251846153061	Rim plastic cover blue	4		



Part No.	Menila New ET Nr.	EAN Code	Part name	demand	order	Note
GK110-3-01	9120007	4251814625514	Rear outer tyre brand Junkai	2		
GK110-3-01	9045003	4251814687062	Rear rim 16"8-7	2		
GK110-3-02	9040439	4251846151111	Dustproof cap	2		
GK110-3-03	9040440	4251846151128	Hexagon flange bolt	8		
GK110-3-04	9040441	4251846151135	Cotter	2		
GK110-3-05	9040442	4251846151142	Slotted nut	2		
GK110-3-06	9040443	4251846151159	Flat gaket	2		
GK110-3-07	9040444	4251846151203	Rear wheel flange	2		
GK110-3-08	9040445	4251846151210	Bearing cover plate	2		
GK110-3-09	9040446	4251846151227	Hexagon flange bolt	6		
GK110-3-10	9040447	4251846151234	Self lock nut	6		
GK110-3-11	9040448	4251846151241	Oil seal	2		
GK110-3-12	9044312	4251846151395	Bearing	2		
GK110-3-13	9040449	4251846151258	Rear bearing seat	2		
GK110-3-14	9045512	4251846151401	Driven sprocket	1		
GK110-3-15	9040450	4251846151265	Hexagon flange bolt	4		
GK110-3-16	9040451	4251846151272	Self lock nut	4		
GK110-3-17	9049606	4251846151418	Rear axle assy	1		
GK110-3-18	9040456	4251846151326	Down chain cover	1		
GK110-3-19	9040452	4251846151289	Hexagon flange bolt	1		
GK110-3-20	9040453	4251846151296	Self lock nut	1		
GK110-3-21	9040454	4251846151302	Hexagon flange bolt	2		
GK110-3-22	9040455	4251846151319	Spacer bush	2		
GK110-3-23	9049072	4251846151425	Brake pump connecting plate	1		
GK110-3-24	9040457	4251846151333	Hexagon flange bolt	2		
GK110-3-25	9040458	4251846151340	Self lock nut	2		
GK110-3-26	9043014	4251846151432	Rear brake disc	1		

GK110-3-27	9040459	4251846151357	Cross Head bolt	4		
GK110-3-28	9046405	4251846151449	Air filter	1		
GK110-3-29	9046406	4251846151456	Air filter hoop	1		
GK110-3-30	9041306	4251846151463	Carburetor	1		
GK110-3-31	9040460	4251846151364	Hexagon flange bolt	2		
GK110-3-32	9040461	4251846151371	Heat protection	1		
GK110-3-33	9040462	4251846151388	Intake pipe	1		
GK110-3-34	9040463	4251846151470	Hexagon flange bolt	2		
GK110-3-35	9040464	4251846151487	Engine gasket	1		
GK110-3-36	9041008	4251846152194	Engine 3-Gang Semi-Automatik-1150115	1		
GK110-3-36	9041009	4251846152200	Engine Automatik + RG-1150116	1		
GK110-3-37	9040465	4251846151494	Exhaust gasket	1		
GK110-3-38	9040466	4251846151500	Flat gasket	2		
GK110-3-39	9040467	4251846151517	Spring pad	2		
GK110-3-40	9040468	4251846151524	Hexagon nut	2		
GK110-3-41	9047610	4251846151562	Muffler	2		
GK110-3-42	9040469	4251846151579	Hexagon flange bolt	1		
GK110-3-43	9040470	4251846151586	Self lock nut	1		
GK110-3-44	9040471	4251846151593	Shifting shaft assy	1		
GK110-3-45	9040472	4251846151609	Hexagon bolt	1		
GK110-3-46	9040473	4251846151616	Up chain cover	1		
GK110-3-47	9040474	4251846151623	Hexagon flange bolt	2		
GK110-3-48	9043609	4251846151678	Chain	1		
GK110-3-49	9040475	4251846151630	Hexagon flange bolt	1		
GK110-3-50	9040476	4251846151647	Hexagon flange bolt	1		
GK110-3-51	9040477	4251846151654	Self lock nut	2		
GK110-3-52	9040478	4251846151661	Engine rear hanger	1		
GK110-3-53	9040479	4251846151685	Hexagon nut	2		
GK110-3-54	9040480	4251846151692	Spacer bush	1		
GK110-3-55	9040481	4251846151708	Concave washer	1		
GK110-3-56	9040482	4251846151715	Flat gasket	1		
GK110-3-57	9040483	4251846151722	Muffler connecting plate	1		
GK110-3-58	9040484	4251846151739	Hexagon flange bolt	2		
GK110-3-59	9040485	4251846151746	Rear shock absorber	2		
GK110-3-60	9040486	4251846151753	Hexagon flange bolt	4		
GK110-3-61	9040487	4251846151760	Self lock nut	4		



Part No.	Menila New ET Nr.	EAN Code	Part name	demand	order	Note
GK110-4-01	90440060303	4251846151777	Seat red	2		
GK110-4-01	90440060101	4251846153030	Seat black	2		
GK110-4-02	9040488	4251846151784	Self lock nut	8		
GK110-4-03	9040489	4251846151791	Seat belt	2		
GK110-4-04	9040490	4251846151807	Hexagon flange bolt	4		
GK110-4-05	9040491	4251846151814	Self lock nut	4		
GK110-4-06	9045162	4251846151920	Power relay	1		
GK110-4-07	9040492	4251846151821	Hexagon flange bolt	1		
GK110-4-08	9040493	4251846151838	Self lock nut	1		
GK110-4-09	9045163	4251846151937	Ignition coil	1		
GK110-4-10	9040494	4251846151845	Hexagon flange bolt	1		
GK110-4-11	9040495	4251846151852	Self lock nut	1		
GK110-4-12	9045164	4251846151944	CDI	1		
GK110-4-13	9045165	4251846151951	Rectifier	1		
GK110-4-14	9040496	4251846151869	Hexagon flange bolt	1		
GK110-4-15	9040497	4251846151876	Self lock nut	1		
GK110-4-16	9045166	4251846151968	Start relay	1		
GK110-4-17	9045167	4251846151975	speedometer	1		
GK110-4-18	9040498	4251846151883	Cross head bolt	2		
GK110-4-19	9040499	4251846151890	Self lock nut	2		
GK110-4-20	9045168	4251846152088	Horn switch	1		
GK110-4-21	9045169	4251846152095	Flameout switch	1		
GK110-4-22	9045170	4251846152101	front Light switch	1		
GK110-4-23	9040500	4251846151906	Electric lock	1		
GK110-4-24	9040501	4251846151913	Switch key	2		
GK110-4-25	9047310	4251846152118	Headlamp	2		
GK110-4-26	9047505	4251846152187	Battery 12V 6.5Ah	1		
GK110-4-27	9040507	4251846152033	battery box	1		
GK110-4-28	9040508	4251846152040	Battery Bandage	2		
GK110-4-29	9040505	4251846152019	Hexagon bolt	2		
GK110-4-30	9040506	4251846152026	Self lock nut	2		
GK110-4-31	9047311	4251846152125	Roof light	4		
GK110-4-32	9040502	4251846151982	Hexagon flange bolt	4		
GK110-4-33	9040503	4251846151999	Self lock nut	4		
GK110-4-34	9040504	4251846152002	Flat gasket	8		
GK110-4-35	9047312	4251846152132	Rear tail light	2		
GK110-4-36	9045171	4251846152149	Reflector	1		
GK110-4-37	9045172	4251846152156	Main wire	1		
GK110-4-38	9045173	4251846152163	Patch cable	1		
GK110-4-39	9045174	4251846152170	visc cable	1		
GK110-4-40	9040509	4251846152057	Rear view mirror	1set		



[www.nitromotors.de](http://www.nitromotors.de)

Copyright © 2025 Nitromotors | All rights reserved. "Nitromotors" is a registered trademark of Menila Import. Druckfehler und Irrtümer vorbehalten. Menila Import | Hafenhstr. 5 | 45881 Gelsenkirchen | E-Mail: parts@menilagroup.de