

ART-NR. 11222304

**230CC TRICIA**  
MAXI QUAD



www.nitromotors.de

**ERSATZTEILLISTE | SPARE PARTS LIST**

VERS. 1.0 | 31.07.2025

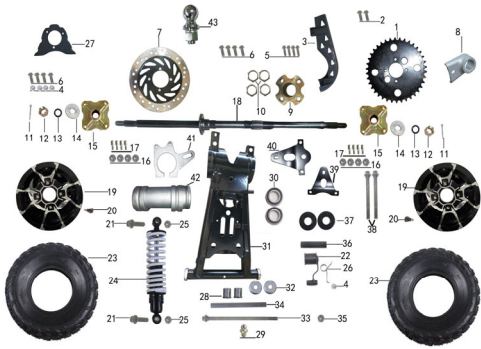
塑件系统 Platic Cover



号num	ERP.num	Menila Art.	EAN Code	英文名称English name	名称Chinese name	数量	order	note
1	626332	9023560	4255816881688	rear Backrest cover	后靠背盖板	1		
2	626333	9023561	4255816881695	back Backrest cover	后靠背装饰板	1		
3	626334	9023562	4255816881701	Front carrier	前货架盖板	1		
4	626335	9023563	4255816868344	Front Face body	中网	1		
5	626336	9023564	4255816868351	Front Face body cover	中网装饰件	1		
6	626337	9023565	4255816868368	Front bumper cover	保险杠装饰板	1		
7	626338	9023566	4255816868375	plate	装饰板	1		
8	626339	9023567	4255816868382	Front plastic body	前面板	1		
9	626340	9023568	4255816868399	Front access cover	前检修盖	1		
10	626341	9023569	4255816868405	Fornt plastic body cover	前面板装饰板	1		
11	626342	9023570	4255816868412	Maintenance cover	维修盖	1		
12	626343	9023571	4255816868429	Front left bar	前左边条	1		
13	626344	9023572	4255816868436	Front right bar	前右边条	1		
14	626345	9023573	4255816868443	Instrument windshield	仪表挡风罩	1		
15	626346	9023574	4255816868450	Instrument mount	仪表安装座	1		
16	626347	9023575	4255816868467	Meter support	仪表支架	1		
17	626348	90240000505	4255816868610	L Hand guard decorative cover orange	左护手装饰板	1		
17	626348	90240000303	4255816868627	L Hand guard decorative cover red	左护手装饰板	1		
17	626348	90240000404	4255816868634	L Hand guard decorative cover green	左护手装饰板	1		
17	626348	90240000202	4255816868641	L Hand guard decorative cover blue	左护手装饰板	1		
18	626349	90242010505	4255816868658	R Hand guard decorative cover orange	右护手装饰板	1		
18	626349	90242010303	4255816868665	R Hand guard decorative cover red	右护手装饰板	1		
18	626349	90242010404	4255816868672	R Hand guard decorative cover green	右护手装饰板	1		
18	626349	90242010202	4255816868689	R Hand guard decorative cover blue	右护手装饰板	1		
19	626350	9023576	4255816868474	L Hand guard	左护手	1		
20	626351	9023577	4255816868481	R Hand guard	右护手	1		
21	626352	9023578	4255816868498	Left cover	左侧装饰件	1		
22	626353	9023579	4255816868504	Right cover	右侧装饰件	1		
23	626369	9023580	4255816868511	Gear cover	档位盖板	1		
24	626354	9023581	4255816868528	Fuel tank right cover	油箱右侧板	1		
25	626355	9023582	4255816868535	Fuel tank left cover	油箱左侧板	1		
26	626356	9023583	4255816868542	Fuel tank cover	油箱盖板	1		
27	626357	9023584	4255816868559	Gear cover	压块装饰盖	1		
28	626358	9023585	4255816868566	Right side cover	右侧板	1		
29	626359	9023586	4255816868573	Left side cover	左侧板	1		
30	626360	9023587	4255816868580	Engine right baffle	发动机右挡板	1		
31	626361	9023588	4255816868597	Engine Left baffle	发动机右挡板盖	1		
32	626362	9023589	4255816868603	Engine Left baffle	发动机左挡板	1		
33	626363	9024202	4255816868696	Left foot	左脚踏板	1		
34	626364	9024203	4255816868702	Right foot	右脚踏板	1		
35	626365	9024204	4255816868719	Left small footrest	左小脚踏	1		
36	626366	9024205	4255816868726	Right small footrest	右小脚踏	1		
37	626367	9024206	4255816868733	Rear plastic body	后面板	1		
38	626368	9024207	4255816868740	Rear shelf cover	后货架盖板	1		
39	626376	9024208	4255816868757	Small sprocket guard	小链轮护板	1		
40	153655	9024209	4255816868764	Handguard support (Long)left	护手支架(长)(左)	1		
41	153656	9024210	4255816868771	Handguard support (Long)right	护手支架(长)(右)	1		
42	153657	9024211	4255816868788	Handguard support (Short)left	护手支架(短)(左)	1		
43	153658	9024212	4255816868795	Handguard support (Short)left	护手支架(短)(右)	1		
44	153678	9024028	4255816868801	Seat	座垫	1		
45	153677	9024029	4255816868818	Backrest	靠背	1		

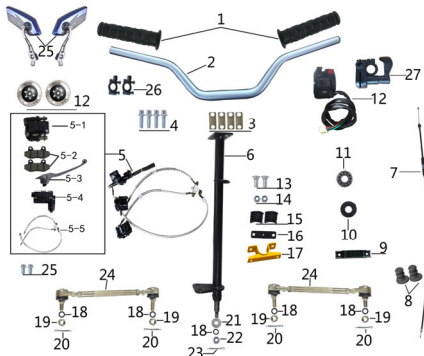
后悬挂系统 Rear suspension system

号num	ERP.num	Menila Art.	EAN Code	英文名称English name	名称Chinese name	量quan	oreder	note
1	153615	9025525	4255816868825	Rear sprocket	后链轮	1		
2	105136	9024729	4255675461403	Flange bolt	法兰螺栓	2		
3	606850	9024213	4255816868832	Large chain cover	大链罩	1		



4	105277	9029820	4251814684627	Lock nut	防松螺母	5		
5	104985	9024997	4255816882753	Flange bolt	法兰螺栓	4		
6	105194	9024998	4255816882760	Flange bolt	法兰螺栓	8		
7	153616	9023204	4255816869020	Rear disc brake	后碟刹盘	1		
8	606857	9021513	4251814683934	Flat fork jacket	平叉护套	1		
9	606588	9024999	4255816882777	Link flange	链盘法兰	1		
10	104860	9024670	4255675459899	Hex nut	六角螺母	4		
11	105340	9029826	4251814684702	开口销	开口销	2		
12	105333	9025000	4255816882784	Slotted Nut	开槽螺母	2		
13	104876	9029828	4251814684726	Spring gasket	弹垫	2		
14	600583	9029829	4251814684733	gasket	垫片	2		
15	606587	9025200	4255816868849	Rear wheel hub flange	后轮毂法兰	2		
16	105255	9025201	4255816868856	Lock nut	防松螺母	8		
17	104981	9025202	4255816868863	Flange bolt	法兰螺栓	8		
18	152341	9029638	4255816869013	Rear shaft	后轴	1		
19	153618	9025103	4255816869037	Rear alum rim 10inch L/R	后铝轮毂	2		
20	100537	9025203	4255816868870	Cycle valve	气门嘴	2		
21	105013	9025204	4255816868887	Flange bolt	法兰螺栓	2		
22	111483	9024695	4255675460222	Rear tire	压紧轮	1		
23	101288	9120363	4255816884306	Rear tire 22x11-10 ( Brand Junkai)	后轮胎	2		
24	604813	9022451	4255675472737	Rear absorber	后减震	1		
25	105255	9025201	4255816868856	Lock nut	防松螺母	2		
26	618059	9025205	4255816868894	Lock nut	张紧轮弹簧	1		
27	606853	9021514	4251814683941	Lock nut	小链罩	1		
28	112921	9029835	4251814684870	Rear flat fork bushing	后平叉衬套	2		
29	108287	9029836	4251814684887	Grease fitting	黄油嘴	1		
30	102803	9024692	4255675460192	Grease fitting	铝后桥轴承	2		
31	606521	9029002	4251814684900	Back fork	后平叉	1		
32	112924	9021559	4251814684917	Rear flat fork seal cover	后平叉密封盖	2		
33	607103	9025206	4255816868900	Flange bolt	法兰螺栓	1		
34	606592	9024699	4255675460260	Rear flat fork spacer sleeve	后平叉隔套	1		
35	104908	9025210	4255816868948	Lock nut	防松螺母	1		
36	120355	9025210	4255816868948	Rear axle sleeve	后桥轴套	1		
37	111362	9024694	4255675460215	Aluminum rear axle oil seal	铝后桥油封	2		
38	105039	9025207	4255816868917	Flange bolt	法兰螺栓	2		
39	604476	9025208	4255816868924	stiffener	加强座	1		
40	110316	9025211	4255816868955	Towing TAB	拖钩片	1		
41	608858	9023025	4251814684986	Disc brake support (iron)	碟刹支架 (铁)	1		
42	108647	9029296	4255675460161	Rear axle aluminum barrel	后桥铝筒	1		
43	102326	9025213	4255816868979	Trailer ball	拖车球头	1		

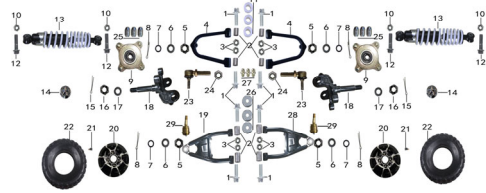
转向系统 Steering system



号num	ERP.num	Menila Art.	EAN Code	英文名称English name	名称Chinese name	量quant	oreder	note
1	100280	9026044	4255675414928	Handgrip	把套	1set		
2	606536	9026048	4255816869044	Handle tube	把手管	1		
3	606700	9028996	4251814661437	Handlebar clamp	铝压块	1set		
4	105234	9029844	4251814685068	Flange bolt	法兰螺栓	4		
5	153824	9025214	4255816868986	Front disc brake -handle	前碟刹手柄	1		
6	606501	9025215	4255816868993	Column welding assembly	方向柱焊接组件	1		
7	102528	9025216	4255816869006	Throttle cable	油门线	1		
8	115426	9021560	4251814685150	Dust cap for directional column	方向柱防尘盖	2		
9	605519	9026013	4251814660935	Wire buckle	线扣	1		
10	111485	9020164	4251814685174	Directional column oil seal	方向柱油封	1		
11	111476	9024308	4251814685181	Adjustable core ball bearing	调芯球轴承	1		
12	152548	9025217	4255816869051	Function switch	功能开关	1		
13	105363	9020316	4251814661468	Coach bolt M8*20	马车螺栓	2		
14	105276	9028946	4251814685211	Lock nut	防松螺母	6		
15	111478	9024584	4255675415284	Steering column spacer(set)	方向柱安装套	2		
16	112537	9020252	4251814658574	Steering column crash plat	方向柱上缓冲垫	1		
17	605451	9020308	4251814660942	Steering column fix seat	方向柱固定座	1		
18	104867	9020168	4251814685259	Spring gasket 10	弹垫	4		
19	600636	9024585	4255675415291	Slotted Nut M10*1.25	开槽螺母	4		
20	105338	9028948	4251814685273	Cotter φ2.5*30	开口销	5		
21	105393	9028949	4251814685280	Flat gasket 10*20*1.5	平垫	1		
22	105256	9025218	4255816869068	Lock nut	防松螺母	1		
23	105340	9029826	4251814684702	Cotte	开口销	1		
24	606537	9025219	4255816869075	Pull rod	拉杆	2		
25	111486	9020171	4251814685419	Rear mirror (set)	后视镜	1set		
26	111516	9028952	4251814685402	Rear mirror support	后视镜镜座	2		
27	610130	9027013	4255675499239	Function switch	功能开关	1		
5-1	626946	9023205	4255816869099	Front disc brake lower pump	前碟刹下泵	2		
5-2	626947	9023206	4255816869105	Front disc brake friction plate	前碟刹摩擦片	2set		
5-3	626948	9023207	4255816869112	Front disc brake handle	前碟刹手柄	1		
5-4	626949	9023208	4255816869129	Front disc brake on pump	前碟刹上泵	1		
5-5	626950	9023209	4255816869136	Front disc brake tubing	前碟刹油管	1set		

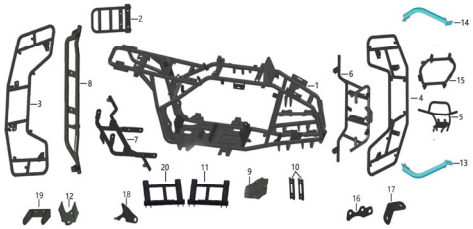
前悬挂系统 Front suspension system

号num	ERP.num	Menila Art.	EAN Code	英文名称English name	名称Chinese name	量quant	oreder	note
1	105027	9028957	4251814685808	Flange bolt	法兰螺栓	8		
2	112931	9020197	4251814685815	A-arm bushing	前摇臂隔套	8		
3	105254	9020198	4251814685822	Lock nut	防松螺母	8		
4	606505	902934	4255675468051	Up A-arm L/R	上摇臂	2		
5	105320	9020303	4251814660447	Slotted Nut	开槽螺母	8		
6	105393	9028949	4251814685280	Flat gasket	平垫	4		
7	104868	9028959	4251814685860	Spring gasket	弹垫	4		
8	105338	9028948	4251814685273	Cotter	开口销	4		



9	102443	'9024705	4255675461137	Rotator	旋转体	1set		
10	105253	9020208	4251814685884	Lock nut	防松螺母	4		
11	109032	9020209	4251814685891	Nylon sleeve for front rocker arm	前摇臂尼龙套	16		
12	105006	9025220	4255816869082	Flange bolt	法兰螺栓	4		
13	133307	90224210808	4255675415321	Front absorber (set)	前减震	1set		
14	116174	9025221	4255816869143	Dust cover	防尘盖	2		
15	105340	9029826	4251814684702	Cotter	开口销	2		
16	105326	9025222	4255816869150	Slotted Nut	开槽螺母	2		
17	105414	9025223	4255816869167	Flat gasket	平垫	2		
18	102890	9025224	4255816869174	Knuckle L/R	转向节	1set		
19	606507	9029332	4255675414980	Left down A-arm	左下摇臂	1		
20	153617	9025104	4255816869259	Front alum rim 10inch L/R	前铝轮毂	2		
21	100537	9025203	4255816868870	Cycle valve	气门嘴	2		
22	102018	9120334	4255675473079	Front tire 23x7-10 (brand Junkai)	前轮胎	2		
23	101488	9025225	4255816869181	Adjustable ball head L/R	可调球头	2		
24	105263	9020203	4251814686010	Lock nut	防松螺母	2		
25	109370	'9024685	4255675460093	Tire nut	轮胎螺母	8		
26	112934	9020204	4251814686027	A-arm seal cover	摇臂密封盖	16		
27	108287	9029836	4251814684887	Tire nut	黄油嘴(摇臂)	8		
28	606879	902935	4255816869266	Right down A-arm	右下摇臂	1		
29	102725	9021944	4251814669860	Ball head L/R	圆球头	2		

车架 Frame



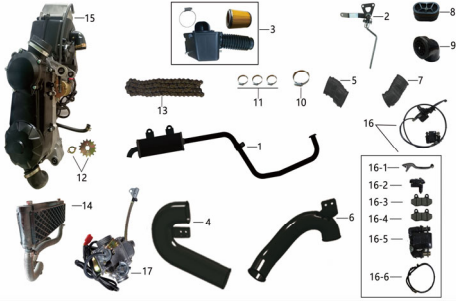
号num	ERP.num	Menila Art.	EAN Code	英文名称English name	名称Chinese name	量quan	order	note
1	626313	9029042	4255816881862	Main frame	主车架	1		
2	626329	9029043	4255675414966	Rear backrest bracket	后靠背支架	1		
3	626325	9029044	4255675414973	Rear carrier	后货架	1		
4	626315	9029045	4255816869297	Front carrier	前货架	1		
5	626323	90290590505	4255816869433	Front bumper orange	前保险杠	1		
5	626323	90290590303	4255816869440	Front bumper red	前保险杠	1		
5	626323	90290590404	4255816869457	Front bumper green	前保险杠	1		
5	626323	90290590202	4255816869464	Front bumper blue	前保险杠	1		
6	626321	9029060	4255816869471	Front down support	前下支撑	1		
7	626327	9029046	4255816869303	Rear shelf under bracket	后货架下支架	1		
8	606529	9029047	4255816869310	Rear shelf under support	后货架下支撑	1		
9	606535	9029048	4255816869327	Underbody protection plate	车底保护板	1		
10	606525	9029049	4255816869334	Non-slip pedal	防滑踏板	4		
11	606517	9029050	4255816869341	Pedal right	脚踏架右	1		
12	603845	9029133	4251814660713	Electric parts support	电器支架	1		
13	626462	9029051	4255816869358	Right Front decorative tube	前装饰管右	1		
14	626317	9029052	4255816869365	Left Front decorative tube	前装饰管左	1		
15	626319	9029053	4255816869372	Front center net bracket	前中网支架	1		
16	626393	9029054	4255816869389	Sensor mounting plate	传感器安装板	1		
17	626395	9029055	4255816869396	Front center support connecting piece	前中网支架连接片	2		
18	626331	9029056	4255816869402	Engine connecting plate	发动机连接板	1		
19	626397	9029057	4255816869419	Engine rear upper mounting plate	发动机后上安装板	1		
20	606515	9029058	4255816869426	Pedal left	脚踏架左	1		

电器系统 Electrical system



号num	ERP.num	Menila Art.	EAN Code	英文名称English name	名称Chinese name	量quan	order	note
1	626370	9021850	4255816869488	Main cable	主线	1		
2	606180	9021851	4255816869495	Relay	继电器	1		
3	153829	9021852	4255816869501	Pressure regulator	调压器	1		
4	103271	9021853	4255816869518	Pressure regulator	点火器	1		
5	607998	9021854	4255816869525	High pressure pack	高压包	1		
6	626042	9021855	4255816869532	Speed sensor	速度传感器	1		
7	153622	9021856	4255816869549	Seven-inch meter	七寸仪表	1		
8	153619	9027706	4255675473000	front headlight L	前大灯左	1		
9	153620	9027707	4255675473017	front headlight R	前大灯右	1		
10	153621	9027708	4255675473024	driving light	后尾灯	1		
11	145053	9021857	4255816869556	Alarm apparatus	报警器	1set		
12	100678	9058004	4251237150792	Polar Bar AGM Batterie 2N9-B5		1		
13	153830	9025226	4255816869198	Electric door lock	电门锁	1		
14	147455	9025227	4255816869204	USB connector	USB接口	1		
15	141756	9025228	4255816869211	Charging jack	充电插口	1		
16	101552	9023501	4255675414959	Horn	喇叭	1		
17	117493	9024749	4255675461618	Battery strap	电池绑带	2		
18	112509	9025229	4255816869228	Electric winch	电动绞盘	1set		
19	600566	9028315	4251814658925	Automatic closure nozzle	自动截止嘴	1		
20	101679	9025230	4255816869235	Fuel Tank Cap	铝油箱盖	1		
21	100269	9020261	4251814658949	EPA oil pipe	EPA油管	2		
22	605993	9025231	4255816869242	EPA oil pipe	EPA油管	1		
23	101456	9024754	4255675461663	Circli	卡扣	8		
24	101098	9024755	4255675461670	filter	过滤器	1		
25	102241	9020191	4251814685686	Double tube oil switch	双管油开关	1		
26	105272	9028953	4251814685433	Lock nut	防松螺母	1		
27	105798	9025232	4255816869563	Hexagon socket bolt	内六角螺栓	1		
28	105212	9025233	4255816869570	Flange bolt	法兰螺栓	3		
29	105276	9028946	4251814685211	Lock nut	防松螺母	3		
30	102305	9024751	4255675461632	Iron fuel tank	铁油箱	1		
31	102659	9024757	4255675461694	Oil sensor	油位传感器	1		
32	602304	9025234	4255816869587	reflector	反光片	2		
33	108708	9025235	4255816869594	reflector	反光片	3		
34	110887	9024697	4255675460246	Hexagon large flat head bolt	内六角大扁头螺栓	2		
35	105272	9028953	4251814685433	Lock nut	防松螺母	1		
36	105140	9028955	4251814685693	Flange bolt	法兰螺栓	1		
37	105272	9028953	4251814685433	Lock nut	防松螺母	3		
38	105140	9028954	4251814685440	Flange bolt	法兰螺栓	3		

发动机系统 Engine



号num	ERP.num	Menila Art.	EAN Code	英文名称English name	名称Chinese name	量quan	oreder	note
1	153845	9027052	4255816882159	Muffler assembly	消声器总成	1		
2	132472	9027053	4255816882166	Four link hand shift lever	四连杆手变档杆	1set		
3	606581	9027054	4255816882173	Air filter	空滤器	1		
4	150991	9027055	4255816882180	CVT intake tube	CVT进气管	1		
5	153652	9027056	4255816882197	CVT intake bend	CVT进气弯管	1		
6	150993	9027057	4255816882203	CVT vent pipe	CVT出气管	1		
7	153957	9027058	4255816869624	CVT outlet bend	CVT出气弯管	1		
8	137498	9027059	4255816869631	CVT inlet bend front plug	CVT进气弯管前堵头	1		
9	137499	9027060	4255816869648	CVT outlet pipe rear plug	CVT出气管后堵头	1		
10	139278	9027061	4255816869655	304 stainless steel hoop (64-76mm)	304不锈钢抱箍 (64-76mm)	1		
11	143135	9027062	4255816869662	304 stainless steel hoop (38-57mm)	304不锈钢抱箍 (38-57mm)	3		
12	153653	9027063	4255816869679	Small sprocket wheel	小链轮	1		
13	611029	9023627	4255816869709	Chain 530-80L	链条	1		
14	148121	9027064	4255816869686	Oil cooler	油冷器	1set		
15	152333	9021352	4255816869716	Engine assy 230CC	发动机	1		
16	607810	9023156	4255675415048	Rear disc brake - Handbrake	后碟刹手柄	1		
16-1	607840	9023157	4255675415055	Rear disc brake handle	后碟刹手柄	1		
16-2	607841	9023158	4255675415062	Rear disc brake on pump	后碟刹上泵	1		
16-3	607842	9023159	4255675415079	Rear disc brake friction plate	后碟刹摩擦片	1set		
16-4	607843	9023160	4255675415086	Rear disc brake down pump	后碟刹下泵	1		
16-5	607844	9023161	4255675415093	Rear disc brake tubing	后碟刹油管	1		
17	153836	9021315	4255816869617	carburetor PD27	化油器	1		



[www.nitromotors.de](http://www.nitromotors.de)

Copyright © 2025 Nitromotors | All rights reserved. "Nitromotors" is a registered trademark of Menila Import.  
 Druckfehler und Irrtümer vorbehalten. Menila Import | Hafnenbahnstr. 5 | 45881 Gelsenkirchen | E-Mail: parts@menilagroup.de